

BID SUBMITTAL FORM
Alabama County Joint Bid Program
BID ITEM – 130 HP HYDROSTATIC BULLDOZER – OPTION A

Company Name: Warrior Tractor & Equipment Company, Inc.

Address: 6801 McFarland Blvd W., Northport, AL 35476

Bid Submitted by: David Schafer
(Name of company representative)

Title: Sales Manager E-mail address: dschafer@warriortractor.com

Phone: 205-339-0300 Fax: 205-333-0101

By submitting this bid, we agree:

The equipment model number identified below meets the bid specs for this bid item

Initials

DRS

That the bid price will be honored for all counties for the period from January 1, 2023 to December 31, 2023.

DRS

The equipment will be delivered at the bid price to all counties participating in the joint bid program

DRS

The company representative listed above will be the contact person for purchasing this bid item under the joint bid program

DRS

The bid is accompanied by a current catalog or model specification document for the model number identified below

DRS

The bid is accompanied by a copy of the manufacturer's standard warranty as required in the bid specifications

DRS

The bid includes the e-verify documentation required by Alabama law

DRS

If awarded the bid, a performance bond will be provided upon request

DRS

The bid documents include the **Manufacturer's Suggested Retail Price Sheet (MSRP) for the Standard Machine**

DRS

130 HP HYDROSTATIC BULLDOZER – OPTION A

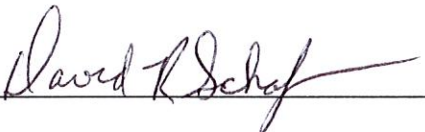
Total Bid Price for Standard Machine: \$ 222,508.00
(Total Bid Price for Standard Machine Includes Freight Preparation, Delivery and Standard Warranty Costs)*

Freight Preparation and Delivery: \$ 8,000.00
(Included in Standard Machine Bid Price)

Manufacturer's Suggested Retail Price for Standard Machine: \$ 243,803.00

Equipment Model #: John Deere 700L

Description: Dozer

Signature of company representative submitting bid: 

Title: Sales Manager

* **NOTE:** Award will be made based on the total cost of the **Standard Machine**. The total cost of the standard machine is to include the freight preparation, delivery and standard warranty cost. Freight preparation, delivery will be excluded from the total bid price of the standard machine in determining the percentage discount for any available options.

BID SUBMITTAL FORM: OPTION COST SHEET 130 HP HYDROSTATIC BULLDOZER – OPTION A

By submitting this bid, we agree:

To offer any available options at the percent difference between the Manufacturer's Suggested Retail Price Sheet and the actual bid price on the Standard Machine*



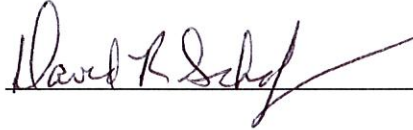
The bid documents include the Manufacturer's Suggested Retail Price Sheet (MSRP) with **any available Options** for the Standard Machine



Equipment Model #: John Deere 700L

Description: Dozer

Signature of company representative submitting bid:



Title: Sales Manager

***Note:** The percent difference between the **Manufacturer's Suggested Retail Price Sheet (MSRP)** for the standard machine as specified by these **Bid Specifications** and the actual price bid by the vendor will be calculated to determine the percentage discount to be applied to any available options. The bid price of the freight preparation, delivery cost shall be excluded in determining the percentage discount to be applied to available options. Any individual county may choose to add any available option to the standard machine at the percentage discount at the time of purchase.

**BID SPECIFICATIONS
FOR
130 HP HYDROSTATIC BULLDOZER – OPTION A**

GENERAL

These specifications shall be construed as the minimum acceptable standards for a 125 hp hydrostatic low ground pressure bulldozer. Should the manufacturer's current published data or specifications exceed these standards, the manufacturer's standards shall be considered minimum and shall be furnished. All integral parts not specifically mentioned in the scope of these specifications that are necessary to provide a complete working unit shall be furnished. Additionally, the machine offered for bid shall include all standard manufacturer's equipment. The bulldozers must be a new current production model and shall meet all EPA and other applicable standards at the time of manufacture.

The use of specific names and numbers in the specifications is not intended to restrict the bidder or any seller or manufacturer, but is intended solely for the purpose of indicating the type, size and quality of equipment considered best adapted to the uses of counties participating in this joint bid.

BID SUBMITTAL FORM

Each bidder must submit his or her bid on the Bid Submittal Form included in the invitation to bid package. All written warranties to be submitted shall be attached to the Bid Submittal Form.

BID PRICE

The price bid shall include all destination charges, delivery charges, title fees, rebates, and all other applicable costs and refunds.

MANUALS

Each unit shall be provided with one (1) copy of the operator's manual and one (1) copy of the current parts manual. Units will not be accepted for delivery until the manuals as outlined above are received by the purchaser.

REPLACEMENT PARTS AVAILABILITY

Parts must be available for 5 years or 7,500 hours of use for the piece of equipment bid. If replacement parts are not delivered within three (3) working days of an order being placed, the bidder will deliver an equivalent machine for the county to use at no cost to the county until such time as the parts are delivered to the county so it can affect repairs to its machine.

WARRANTY

Bidders shall submit a copy of the manufacturer's standard warranty. Warranty shall include service response time of maximum of 36 hours within notification by county.

Yes No
Page# _____
or
Attachment

ENGINE

Shall be a turbocharged diesel engine with a displacement of not less than **260 cubic inches**, capable of developing a minimum of **130 net** flywheel horsepower (SAE J1349).

Yes No
Page # 14

Engine shall be manufactured by the equipment manufacturer.

Yes No
Page # 14

WEIGHT

Operating weight with blade, operator, full fuel tank, and ROPS canopy shall not be less than **30,500 lbs.**

Yes No
Page # 15

ELECTRICAL SYSTEM

Shall be equipped with a minimum 85-amp alternator.

Yes No
Page # 15

TRANSMISSION

Shall be equipped with a hydrostatic type transmission.

Yes No
Page # 14

STEERING

All steering functions must be able to be performed using one hand only.

Yes No
Page # 14

UNDERCARRIAGE

The tractor shall be equipped with sealed and lubricated tracks. Minimum shoe width shall be **28 inches**. Track sag shall be hydraulically adjusted.

Yes No
Page # 15

BLADE

The machine shall be equipped with a six-way (pat) blade with a minimum capacity of **4 cubic yards**.

Yes No
Page # 16

VANDALISM PROTECTION

Machine shall be equipped with all standard and optional factory vandalism protection available for the machine bid.

Yes No
Page # 22 & 23

SAFETY EQUIPMENT

Gauges and indicators shall be provided to monitor critical (fuel level, coolant temperature, powertrain oil temperature, and hydraulic oil temperature) operational systems of the machine and alert the operator when potential problems occur.

Yes No
Page # 22 & 23

Rear view mirror; backup alarm.

Yes No
Page # 22 & 23

Heavy duty hinged radiator guard

Yes No
Page # 22 & 23

Crankcase guard

Yes No
Page # 22 & 23

Track center guiding guard

Yes No
Page # 22 & 23

Pre-cleaner guard

Yes No
Page # ATTACHMENT

Front tow hooks

Yes No
Page # ATTACHMENT

Heavy duty rear drawbar

Yes No
Page # ATTACHMENT

Fire extinguisher

Yes No
Page # ATTACHMENT

Water separator

Yes No
Page # 22

700L CRAWLER DOZER

27-Dec-2022



Code	Description	QTY	List Price (USD)
23DOT	<p>700L CRAWLER DOZER</p> <p>700L Standard Equipment ENGINE John Deere PowerTech Plus 6.8L Certified to EPA FT4 / EU Stage V emissions 135 SAE Net hp (101 kw) Turbocharged with Charged Air Cooler No Power Derating up to 10,000 ft Altitude Wet Sleeve Cylinder Liners Isolation-Mounted Electronic Fuel Injection Electronic Control with Automatic Engine Protection Vertical Spin-on Engine Oil Filter Vertical Spin-on Dual Stage Fuel Filter Oil-to-Water Engine Oil Cooler Dual Safety Element Dry-Type Air Cleaner, Evacuator Valve Eco Mode 500 hr. Engine Oil Change Interval COOLING SYSTEM Cool-On-Demand Variable Speed Engine Fan Engine Coolant -34 Degree F (-37 Degree C) Coolant Recovery Tank 10-Fin/in. Engine Coolant Radiator 10-Fin/in. Hydrostatic/Hydraulic Oil-to-Air Cooler 10-Fin/in. Air-to-Air Charge Air Cooler ELECTRICAL 24 Volt System 110 Amp Alternator for canopy units / 145 Amp Alternator for cab units (2) Batteries with 190 Minute Reserve Capacity, 950 CCA Master Electric Disconnect Switch Bypass Start Safety Cover on Starter Positive Terminal Battery Covers Blade-Type Fuses Electrical Master Disconnect Pre-wired for Work Lights and Underseat Heater (canopy) (2) Cab Mounted and (2) Rear Mounted Halogen Lights w/ (2) reflectors HYDRAULICS 28 gpm (106 L/Min) Fixed Displacement Hydraulic Gear Pump Three-Function Electro-Hydraulic (EH) Controls with Proportional Angle Function POWER TRAIN Dual Path Hydrostatic Transmission Variable Displacement Piston Pump and Motor Combination Automatic Load Sensing for Speed and Power Management AutoTracking Steering Control 8 Micron Vertical Spin-on Filter Single Lever-Steering, Direction / Speed Control with Counter Rotation and Horn Combined Decelerator/Brake Pedal Selectable reverse speed ratios 100%, 115%, 130% or independent of forward ground speed Electronic Control with Automatic Transmission Protection 26.9 Gallon (101.8 Liter) Reservoir with Sight Gauge Triple Reduction Final Drives with Wet Multi-Disk Brakes Primary and Secondary Service Brakes (Conforms to ISO10265) Automatic Spring-Applied, Hydraulic Released Park Brake (Conforms to ISO 10265)</p>	1	\$247,163.00

4000 hr. Oil Change Interval
 Transmission Diagnostic Ports
 Selectable Decelerator Mode
 UNDERCARRIAGE
 Oscillating Undercarriage
 Maximum Life Undercarriage with Moderate Single Grouser Track Shoes
 Adjustable Track Sag
 Segmented Sprockets
 Front and Rear Chain Guides
 OPERATOR STATION:
 JDLink Ultimate Machine Monitoring System w/ 5-year Message Service
 Modular Design ROPS/FOPS Operator Station (Conforms to SAE J1040 - ISO 3471)
 Viscous Isolated
 Left and Right Front Access
 Front, door and rear wipers and washers (cab)
 Floormat
 Large Color Display Located in Front Console
 Interior Sound Treatment
 Slip-Resistant Steps and Ergonomically Located Handholds for Left, Right Access (Conforms to SAE J185 - ISO 2867)
 Air-suspension Seat
 Operator Presence System
 Thigh Support
 Lumbar
 Backrest Tilt
 Height, Weight and Fore-Aft
 Side Console Leg Cushions
 Adjustable Armrests
 3 in. (76 mm) Orange Seat Belt with Retractors (Conforms to SAE J386 - ISO 6683)
 Lunch Box Storage
 Glove (Storage) Box
 Cupholders (x2)
 Built-in Operator's Manual Storage Compartment and Manual
 12 Volt Power Port

Gauges
 Engine Coolant Temperature
 Transmission Oil Temperature
 Hydraulic Oil Temperature
 Engine Oil Pressure
 Fuel Level
 DEF Level

Warnings
 Stop
 Caution
 Low Alternator Voltage
 Engine Air Filter Restriction
 Transmission Filter Restriction
 Hydraulic Filter Restriction
 Water in Fuel
 Transmission Pressure Low
 Coolant Level Low
 Diesel Exhaust Fluid (DEF) Contaminated Indicator
 Engine Emissions Systems Malfunction Indicator

Indicators
 Park Brake
 Fasten-Seat-Belt

Operator Presence (Seat Switch)
 Exhaust Filter Cleaning Indicator
 Exhaust Filter Auto Cleaning Disabled Indicator
 Neutral Rotate Mode
 Rear Aux Mode Ripper, Winch, Generic Rear Aux
 Transmission Warmup Mode
 Blade Float
 Auto Blade Control Indicator
 Displayed on Main Screen
 Tachometer
 Hourmeter
 Transmission Direction (F,N,R, RTN to N, P) and Speed (SIG 1.0-3.0)
 Transmission Display (Forward Setting)
 Transmission Display (Reverse Setting)
 Exhaust Filter Status
 Ambient Temperature (Engine Air Inlet Temp)
 Clock

 Displayed on Secondary Screen
 Machine Diagnostic Service Code(s)
 Fuel Efficiency Runtime Screen
 Horn, Electric (Conforms to SAE J994, J1446, ISO 9533)
 Coded Keyless Start with Electric Fuel Shut Off
 Interior Mounted Rearview Mirror (Conforms to SAE J985)
 OVERALL VEHICLE
 Unitized Mainframe with:
 Integrated Front Tow Loop
 Reinforced Engine and Mid-frame Bottom Guards
 Integral Transmission Guard
 Hinged Bottom Access Covers (Bolt-On)
 Perforated Engine Side Shields
 Heavy-Duty Perforated Front Grille with Hose Protection
 Lockable Vandal Protection for:
 Engine Access Panel
 Rear Service Doors
 Fuel tank
 Instrument Panel
 Hydrostatic/Hydraulic Reservoir - Need wrench to access
 Environmental Drains
 69.2 Gallon (262 Liter) Fuel Tank:
 Wide Mouth Fuel Filler Cap
 Shut Off Valve at Tank Outlet
 Ground Level Fueling
 Reverse Warning Alarm with Guarding (Conforms to SAE J994, J1446)

23DOT	700L CRAWLER DOZER	1	\$247,163.00
-------	--------------------	---	--------------

ENGINE

Engine	Basic Factory Options - Required
--------	----------------------------------

0940	John Deere 6 Cyl EPA FT4 Engine		\$3,626.00
	John Deere PowerTech Plus 6 Cyl EPA FT4/EU Stage V Compliant 6.8 L (414 cu. in.)		

Code	Description	QTY	List Price (USD)
135 net hp (101 kW) @ 1800 rpm - No power derating up to 10,000 ft altitude			
	Engine Fan Drive		Basic Factory Options - Required
3510	Standard Hydraulic Fan Drive		No Added Cost
3520	Automatic Reversing Hydraulic Fan		\$1,584.00
	Fuel Filtration		Field Installed Attachments - Optional
9060	Severe-Duty Fuel Filter For use where fuel quality is questionable and/or additional water separation is required. Filter base contains fuel heater.		\$558.00
	Exhaust		Field Installed Attachments - Optional
9065	Chrome Exhaust		\$546.00
	Miscellaneous		Field Installed Attachments - Optional
9070	Fluid Sample Ports		\$353.00
9075	Quick Service Bank for Transmission, Hydraulic, Engine oil & Engine Coolant Fluid changes Remote service banks are located inside engine and tank compartments; utilizes industry standard quick disconnect couplers.		\$945.00
	Coolant Heater		Field Installed Attachments - Optional
9530	Coolant Heater, Electric		\$151.00

Code	Description	QTY	List Price (USD)
	120 Volt		
	Air Pre-Cleaner		Field Installed Attachments - Optional
9130	Engine Air Precleaner - Rotary Intended for high dust applications to extend engine air filter life. Not required in most applications; will negatively impact over-hood visibility.		\$526.00
	PACKAGES		
	Dozer Configuration		Basic Factory Options - Required
1055	XLT PAT (Extra Long Track Power - Angle - Tilt) Dozer 1778 mm (70 in.) Gauge - 7 Roller Track Frame		No Added Cost
1075	LGP PAT (Low Ground Pressure Power - Angle - Tilt) Dozer 1981 mm (78 in.) Gauge - 7 Roller Track Frame		\$1,399.00
	UNDERCARRIAGE		
	Track Shoes and Chain		Basic Factory Options - Required
4671	24 Inch (610 mm) Moderate Service Shoes - Extended Life Undercarriage Sealed and Lubricated Track (SALT) with SC2 Bushings		(\$1,779.00)
4555	22 Inch (559 mm) Moderate Service Shoes - Heavy Duty Undercarriage Sealed and Lubricated Track (SALT)		(\$7,638.00)
4570	24 Inch (610 mm) Moderate Service Shoes - Heavy Duty Undercarriage Sealed and Lubricated Track (SALT) Availability for this track option is limited and may exceed standard lead time.		(\$7,572.00)
4590	30 Inch (762 mm) Moderate Service Shoes - Heavy Duty Undercarriage Sealed and Lubricated Track (SALT)		(\$6,874.00)
4655	22 Inch (559 mm) Moderate Service Shoes - Extended Life Undercarriage		(\$2,167.00)

Code	Description	QTY	List Price (USD)
	Sealed and Lubricated Track (SALT) with SC2 Bushings		
4690	30 Inch (762 mm) Moderate Service Shoes - Extended Life Undercarriage Sealed and Lubricated Track (SALT) with SC2 Bushings		(\$798.00)
4755	22 Inch (559 mm) Moderate Service Shoes - Max Life Undercarriage Sealed and Lubricated Track (SALT) with SC2 Bushings and larger track links, rollers and idlers.		No Added Cost
4770	24 Inch (610 mm) Moderate Service Shoes - Max Life Undercarriage Sealed and Lubricated Track (SALT) with SC2 Bushings and larger track links, rollers and idlers. Availability for this track option is limited and may exceed standard lead time.		\$677.00
4790	30 Inch (762 mm) Moderate Service Shoes - Max Life Undercarriage Sealed and Lubricated Track (SALT) with SC2 Bushings and larger track links, rollers and idlers.		\$1,407.00
BLADE			
	Dozer Blade		Basic Factory Options - Required
	All Blades include Straight End Bits and Bolt-On Cutting Edges. Blades are not installed, but shipped with Crawler Dozer.		
7074	PAT Blade - 121 Inch (3078 mm) Requires code 1055 (XLT PAT) 3.4 cu. m (4.4 cu. yd.) capacity		\$4,818.00
7078	PAT Blade - 127 Inch (3231 mm) Requires code 1055 (XLT PAT) 3.5 cu. m (4.6 cu. yd.) capacity		\$5,060.00
7095	PAT Blade - 133 Inch (3383 mm) Requires code 1075 (LGP PAT) 3.6 cu. m (4.8 cu. yd.) capacity		\$6,036.00
7098	PAT Blade - 145 Inch (3688 mm) Requires code 1075 (LGP PAT) 3.9 cu. m (5.1 cu. yd.) capacity		\$6,580.00
HYDRAULICS			
	Hydraulics for Dozer Blade and Attachments		Basic Factory Options - Required
7750	3 Function Electro-Hydraulics (EH) for Power-Angle-Tilt (PAT)		No Added Cost

Code	Description	QTY	List Price (USD)
	Does not include auxiliary hydraulics		
7760	4 Function Electro-Hydraulics (EH) for Power-Angle-Tilt (PAT) Includes auxiliary plumbing for rear implement		\$1,512.00
	Hydraulic Pump		Basic Factory Options - Required
7925	Standard Hydraulic Pump		No Added Cost
7985	Thru Drive Hydraulic Pump for use with Direct Drive (PTO) Winch For use with Deere 4000S Winch (mechanical drive) Includes external spline for driveshaft.		\$557.00
	Greases, Fuel, Oil, & Coolant		Basic Factory Options - Required
8010	Hydraulic And Hydrostatic Oil - Hydrau Standard Factory Fill. Provides All-Season capability in ambient temperatures ranging from -25C (-13F) to 50C (122F).		No Added Cost
8020	Hydraulic and Hydrostatic Oil - Hydrau XR, Final Drive Oil - Low Vis Hygard Optional Factory Fill. Intended for colder climates with extreme cold ambient temperatures, provides All-Season capability in ambient temperature ranging from -40C to 40C (-40F to 104F).		\$607.00
	Winch		Field Installed Attachments - Optional
9401	Model 4000 Standard Speed Winch - Power In, Freespool Out		\$21,020.00
9402	Model 4000 Standard Speed Winch - Power In, Power Out		\$23,722.00
9410	Winch Fairlead, Four Roller		\$4,135.00
	Hydraulics		Field Installed Attachments - Optional

Code	Description	QTY	List Price (USD)
BYT11898	EH Control & Plumbing for Rear Mechanical Winch - Power In/Power Out - Field Kit Includes joystick, driveshaft, winch control valve, and accumulator for installing a 4000 Series winch. Machine must be equipped with Thru Drive Hydraulic Pump for use with Direct Drive (PTO) Winch (code 7985). Also order BYT11922 for auxiliary plumbing to winch. Mounting brackets should be sourced separately - see service parts.		\$2,141.00
BYT11899	EH Control & Plumbing for Rear Mechanical Winch - Power In/Freespool Out - Field Kit Includes joystick, driveshaft, and winch control valve for installing a 4000 Series winch. Machine must be equipped with Thru Drive Hydraulic Pump for use with Direct Drive (PTO) Winch (code 7985). Also order BYT11922 for auxiliary plumbing to winch. Mounting brackets should be sourced separately - see service parts.		\$1,706.00
BYT11900	Auxiliary Valve Section - Field Kit Includes joystick and hydraulic valve section for auxiliary function.		\$1,694.00
BYT11921	Auxiliary Plumbing for Rear Attachment - Field Kit Plumbing to rear of machine for rear attachments.		\$279.00
BYT11922	Auxiliary Plumbing for Winch - Field Kit Plumbing to rear of machine for winch.		\$457.00
OPERATOR'S STATION AND CONTROLS			
	Canopy or Cab		Basic Factory Options - Required
5025	Canopy with Under-Seat Heater		No Added Cost
5085	Cab With Roof Mounted Air Conditioner/Heater		\$24,145.00
	Seat		Basic Factory Options - Required
5855	Air Suspension Comfort Control High Back Vinyl Seat Vinyl-covered high-back seat includes pan tilt, pan extend, lumbar adjustment and air suspension with full damping capability. 3 in. (76 mm) retractable seat belt.Requires Code 5025.		No Added Cost
5885	Deluxe Seat, Cloth with Air Suspension		\$695.00

Code	Description	QTY	List Price (USD)
	Fabric-covered high-back seat includes pan tilt, pan extend, lumbar adjustment and air suspension with full damping capability. 3 in. (76 mm) retractable seat belt.		
5890	Premium Seat, Heated and Ventilated with Air Suspension Leather-accented high-back seat includes pan tilt, pan extend, lumbar adjustment and air suspension with full damping capability. 3 in. (76 mm) retractable seat belt.		\$1,071.00
	Radio		Field Installed Attachments - Optional
9501	Premium Radio with Bluetooth AM/FM/Weather Band (WB) Radio with Bluetooth, Remote Aux and Remote USB Port		\$1,176.00
	Mirrors		Field Installed Attachments - Optional
9365	External Mounted Rear Attachments Mirror		\$140.00
	Miscellaneous		Field Installed Attachments - Optional
9503	Automatic Temperature Control HVAC system automatically adjusts temperature and fan speed to meet desired in-cab temperature.		\$557.00
9504	Camera Rear View Rear camera view is shown on primary machine display.		\$2,137.00
9505	Fire Extinguisher Bracket Bracket in cab to securely stow 2.5 lbs fire extinguisher.		\$75.00
9454	Full Screens for Cab Factory designed/installed option. Includes side screens, rear screen, door screens, front screen, and AC condenser guard. For limb risers, order code 9142.		\$8,663.00
9455	Rear Screen for Cab Factory designed/installed option		\$2,451.00
9450	Rear Screen for Canopy		\$1,486.00

Code	Description	QTY	List Price (USD)
9451	Side Screens for Cab		\$2,275.00
	JOHN DEERE WORKSIGHT™		
	Machine Connectivity		Basic Factory Options - Required
	Machine connectivity functions require cellular coverage. Usage of JDLink System requires customer's acceptance of the terms of the John Deere Telematics System Contract.		
	Option availability limited by specific geographical regions. Please refer to region specific price pages for appropriate ordering codes.		
170K	JDLink™		No Added Cost
	Includes integrated cab wiring harness, antenna, and JDLink™ Modem (MTG).		
	JDLink™ connectivity is enabled separately through the JDLink™ website. Connectivity service is subject to country availability.		
170R	JDLink™ Satellite		\$3,000.00
	Includes integrated cab wiring harness, antenna, JDLink™ Modem's (Cellular MTG & Satellite MTG).		
	JDLink™ connectivity is enabled separately through the JDLink™ website. Connectivity service is subject to country availability.		
	Grade Control		Basic Factory Options - Required
2502	SmartGrade Ready including Slope Control		\$7,500.00
	SmartGrade Ready includes harnesses, sensors, and controls to enable a future upgrade to SmartGrade 3D Mastless Grade Control using field kit.		
	Slope Control automatically controls the cross slope and/or mainfall angle without the need for additional equipment (e.g. GNSS, laser reference, etc.). Grade information is displayed through the primary vehicle display.		
2503	SmartGrade 3D Mastless Grade Control including Slope Control		\$95,400.00
	Mastless 3D GNSS grade control system fully integrated into the cab and structures. Consists of dual-band radio that is capable of receiving both UHF and 915 MHz, sensors, integrated display and Topcon software compatible with Topcon file formats. Includes Auto SmartGrade which automatically adjusts the blade when encountering heavy loads, reducing track slip to improve fuel economy and prolong track life. Also includes Remote Display Access (RDA) and Wireless Data Transfer (WDT) for integrated connectivity and support.		
	Slope Control automatically controls the cross slope and/or mainfall angle without the need for additional equipment (e.g. GNSS, laser reference, etc.). Grade information is displayed through the primary vehicle display.		
2575	No Grade Control Installed		No Added Cost

Code	Description	QTY	List Price (USD)
DESTINATION AND LANGUAGE			
	Operator's Manual and Decals		Basic Factory Options - Required
2605	English Operator Manual		No Added Cost
2610	Spanish Operator Manual		No Added Cost
2615	French Operator Manual		No Added Cost
Shipping Preparation			
			Field Installed Attachments - Optional
9909	Non-Export Rust Preventive Coating Coating protects exposed unpainted surfaces from road salt during shipment.		\$159.00
FRAME			
	Grille		Field Installed Attachments - Optional
9325	Heavy Duty Grille Reinforced plate grille for increased protection of cooling fan.		\$580.00
ELECTRICAL			
	Work Lights		Field Installed Attachments - Optional
9166	Premium LED Light Package 6 high output LED lights (16,800 lumens) replace the 4 standard halogen lights.		\$1,365.00

Code	Description	QTY	List Price (USD)
	12 Volt Power		Field Installed Attachments - Optional
9370	2nd - 12 Volt Power Port		\$235.00
	Miscellaneous		Field Installed Attachments - Optional
9180	Engine Compartment Light		\$120.00
	Beacon Lighting		Field Installed Attachments - Optional
9521	Beacon Light		\$310.00
	RIPPER		
	Ripper		Field Installed Attachments - Optional
9191	Heavy Duty Parallelogram Ripper with 5 Shank Pockets and (3) Shank/Teeth Requires code 7760 (4 Section PAT Valve) Not for use with other Rear Attachment		\$17,762.00
	HITCHES		
	Hitches		Field Installed Attachments - Optional
9340	Retrieval Hitch w/ Single Rear Counterweight 501 kg (1106 lb.) Not for use with other rear attachment		\$4,731.00
9343	Retrieval Hitch w/o Rear Counterweight 31 kg (68 lb.) Not for use with other rear attachment		\$678.00

WEIGHTS AND BALLASTING

Counterweight

Field Installed Attachments - Optional

9345	Extended Rigid Drawbar with Single Rear Counterweight 562 kg (1240 lb.) Not for use with other rear attachment		\$5,790.00
9250	Single Rear Counterweight 469 kg (1035 lb.) Not for use with other rear attachment		\$4,109.00
9347	Extended Rigid Drawbar w/o Rear Counterweight 93 kg (205 lb.) Includes pin Not for use with other rear attachment		\$1,737.00
9430	Rigid Drawbar for use with Winch 33 kg (73 lb.) Only for use with winch		\$767.00

GUARDS

Guards

Field Installed Attachments - Optional

9150	Full Length Rock Guards Recommended for applications in rock over 3 in. (76 mm) or sideslopes greater than 2:1. Not recommended for waste or other material packing applications.		\$2,205.00
9142	Limb Risers (Sweeps) Factory designed/installed option		\$3,833.00
9139	LGP Final Drive Guard		\$693.00
9460	Condenser Guard		\$1,628.00

RUST PROTECTION

Rust Protection

Field Installed Attachments - Optional

Code	Description	QTY	List Price (USD)
	MISCELLANEOUS		
	Miscellaneous	Field Installed Attachments - Optional	
	Miscellaneous	Field Installed Attachments - Optional	
BYT12396	HVAC Repair Field Kit		\$3,120.00
	Operator Environment	Field Installed Attachments - Optional	
BYT11700	Canopy Rear View Camera Field Kit		\$2,087.00
BYT11680	Cab Rear View Camera Field Kit		\$2,087.00
	Frame Attachment	Field Installed Attachments - Optional	
BYT11009	Front Counterweight, 317 Lb. (144 Kg) - Field Kit Includes mounting hardware.		\$1,142.00
BYT11049	Heavy Duty Parallelogram Ripper with 5 Shank Pockets and (3) Shank/Teeth - Field Kit Requires 4 Function Hydraulics and Auxiliary Plumbing.		\$16,254.00
	Guards	Field Installed Attachments - Optional	
BYT11738	Limb Risers (Sweeps) - Field Kit Factory designed arched limb risers.		\$4,306.00

Code	Description	QTY	List Price (USD)
BYT11937	Rear Screen for Canopy		\$966.00
BYT11936	Rear Screen for Cab Requires machine to be equipped with code 5085.		\$2,531.00
BYT11935	Full Enclosure Cab Screens		\$9,103.00
BYT12041	Condenser Guard Field Kit		\$1,266.00
BYT12272	Rear Tank Fender Guard		\$3,236.00
	Overall Vehicle		Field Installed Attachments - Optional
BYT11081	Severe Duty Fuel Filter - Field Kit For use where fuel quality is questionable and/or additional water separation is required. Filter base contains fuel heater.		\$441.00
BYT11205	Engine Air Precleaner - Rotary - Field Kit Intended for high dust applications to extend engine air filter life. Not required in most applications; will negatively impact over-hood visibility.		\$515.00
	Powertrain & Cooling		Field Installed Attachments - Optional
BYT11879	Automatic Reversing Hydraulic Fan - Field Kit		\$1,486.00
BYT11882	Quick Service Bank for Transmission, Hydraulic, Engine Oil & Engine Coolant Fluid Changes - Field Kit Remote service banks are located inside engine and tank compartments; utilizes industry standard quick disconnect couplers.		\$743.00
	Winches		Field Installed Attachments - Optional
BYT12229	Rear Winch Mounting Kit with Rear Aux		\$5,492.00

Code	Description	QTY	List Price (USD)
------	-------------	-----	------------------

For use with 700L.
 Required to install 4000 series winch with provisions for hydraulic rear aux ports. Contains the mounting weldment, vent line, driveshaft, driveshaft yoke with U-Joint clamps, harness, and a bracket for the rear of the hydraulic pump. Does not include winch.

BYT12228	Rear Winch Mounting Kit without Rear Aux		\$5,493.00
----------	--	--	------------

For use with 700L
 Required to install 4000 series winch that does not require installation of hydraulic rear aux ports. Contains the mounting weldment, vent line, driveshaft, driveshaft yoke with U-Joint clamps, harness, and a bracket for the rear of the hydraulic pump. Does not include winch.

BYT12231	Rear Aux Joystick Control Kit		\$372.00
----------	-------------------------------	--	----------

For use with 700L.
 Joystick control for winch installation on units not built with 4th function valve.

BYT12204	Model JD4000 Standard Speed Winch - Power In, Power Out Field Kit		\$11,162.00
----------	---	--	-------------

For use with 700L.
 Complete installation requires winch, mounts and controls.
 Winch only, winch mounting kit is required in addition to this kit for complete installation on 700L. BYT12228 or BYT12229 is required. Accumulator Kit is also required to complete installation, BYT12230 must be ordered.

BYT12203	Model JD4000 Standard Speed Winch - Power In, Free Spool Out Field Kit		\$10,317.00
----------	--	--	-------------

For use with 700L
 Complete installation requires winch, mounts and controls.
 Winch only, winch mounting kit is required in addition to this kit for complete installation on 700L. BYT12228 or BYT12229 is required.

PACCAR Winch Div		Field Installed Attachments - Optional	
------------------	--	--	--

Contact PACCAR for below Winch installation instructions
 (Carco Winch)
 800 E. Dallas, P.O. Box 547
 Broken Arrow, OK 74013-0547
 Phone: 918-251-8511
 www.paccarwinch.com

AT523204	50B PTO Winch - Standard Speed		\$41,463.00
----------	--------------------------------	--	-------------

AT523203	H50 HYSTAT Winch		\$37,130.00
----------	------------------	--	-------------

AT523205	50B PTO Winch - Slow Speed		\$41,463.00
----------	----------------------------	--	-------------

Grade Control		Field Installed Attachments - Optional	
---------------	--	--	--

Code	Description	QTY	List Price (USD)
BYT10712	Trimble Ready Installation Field Kit, JRB or Paladin Installed This kit includes installation by Paladin CustomWorks and is not setup to be installed at the dealer. This kit supports installation of masted and mastless Earthworks systems (PAT configurations only). The kit includes: 3 blade mounting brackets (left, right, center), 2 IMU mounting brackets (blade and C-frame), quick connects in front grill, Smart Sensor mounting bracket, monitor mounting brackets, harnesses (monitor, quick connect, Smart Sensor), GNSS mounting brackets (cab), radio brackets. This kit includes installation by Paladin CustomWorks. This kit does not support Trimble GCS systems. Requires codes 1020, 1025, 1030, or 1074 and 2575		\$16,970.00
BYT10713	Leica Ready Kit, JRB or Paladin Installed This kit supports installation of Leica's masted MC1 systems (PAT configurations only) The kit includes: 3 blade GNSS mounting brackets (Left side, center, right side), 1 IMU mounting bracket (blade), front grill quick connects, controller mounting bracket, display mounting bracket, harnesses (monitor, quick connect, controller). This kit includes installation by Paladin CustomWorks. This kit can be dealer upgraded to have cab mounted antennas.		\$13,570.00
BYT11894	Machine Monitor and Topcon Grade Control Monitor Swap Kit (700L & 750L) Kit for 700L & 750L swaps the location of machine and grade control displays to provide better visibility to the grade control display.		\$480.00

Manufacturer's Suggested List Price shown. Retail prices may vary by dealer. Unless stated otherwise, taxes, freight, setup, delivery and other dealer specific charges not included in the pricing. Options/items noted with anything other than price will have additional costs. Pricing, availability, and specifications subject to change without notice. Special program pricing may be available on certain models. See dealer for details. Prices shown are in U.S. dollars and valid only in the U.S.

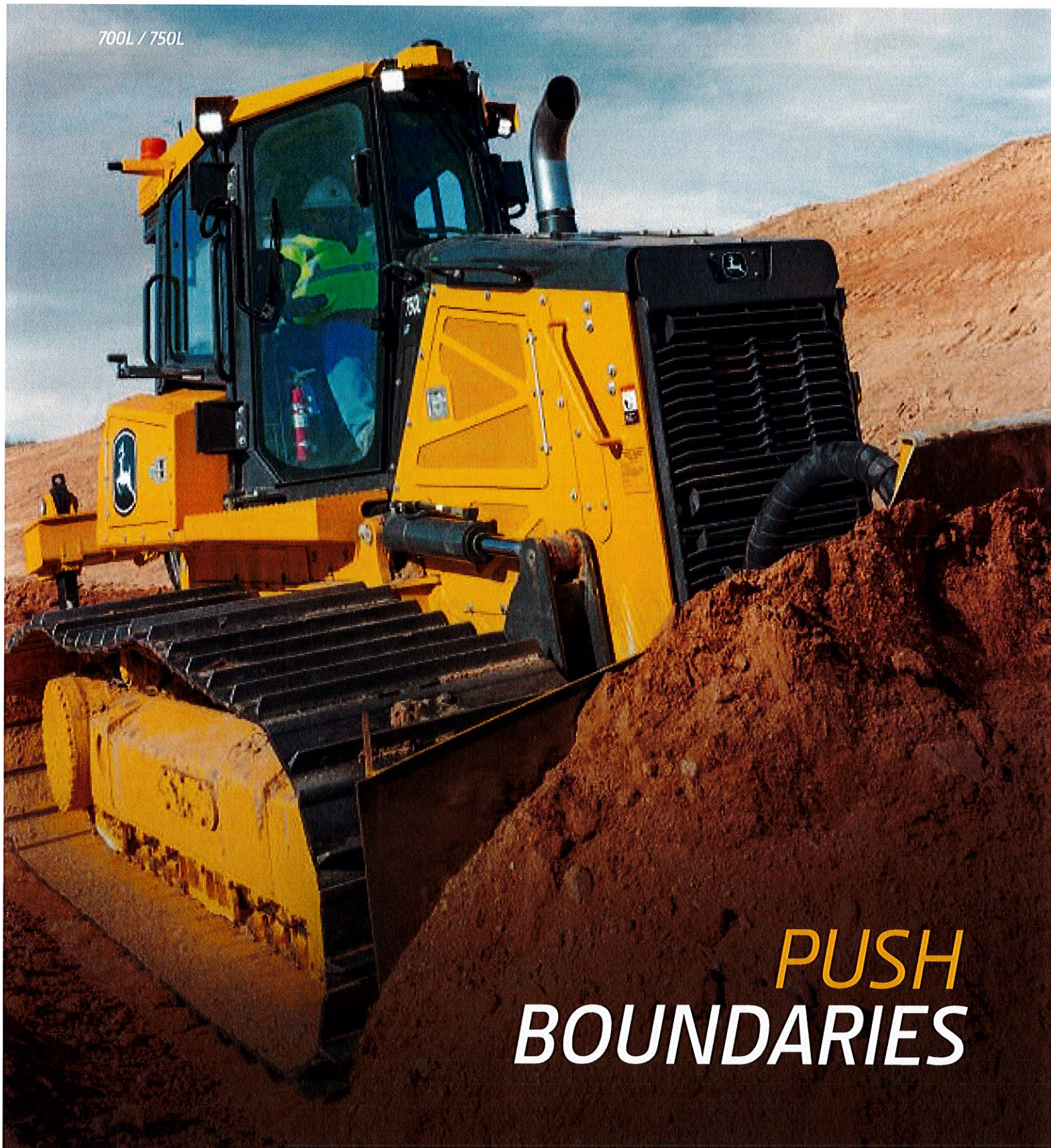
L-SERIES
CRAWLER DOZERS



JOHN DEERE

700L / 750L

PUSH
BOUNDARIES





UNS

 +  + 
POWERFUL *RELIABLE* *COMFORTABLE*

TOPPABLE.

A close-up photograph of the side of a Dozer's cab. The main body is black with a yellow section on the right. The text '700L' is printed in large white letters, with 'LGP' in smaller white letters below it. A black handle is visible above the text. The background shows a blurred view of a construction site through the glass window.

700L
LGP

TAKE ON MORE.

Boasting increased horsepower, comfort, and reliability over previous K-Series models, the 700L and 750L Dozers are ready to take on all comers. The quieter, roomier cab enables better visibility to the blade while providing additional storage. Slope Control and SmartGrade™ options help operators achieve finish grades with less effort and fewer corrections. Plus simplified hydraulic and electrical routing helps boost reliability — for the dependable productivity you need to take on your next job.

POWER SURGE

GET CHARGED UP ABOUT PRODUCTIVITY.

Whether you're into site development or roadbuilding, the 700L and 750L deliver the performance, reliability, and ease of operation you need.

Quiet comfort

Completely redesigned cab offers better visibility, more spacious comfort, and less noise than its K-Series counterpart, along with options such as automatic temperature control (ATC) system, premium heated/ventilated seat, and rearview camera.



**MOST HORSE-
POWER IN
THEIR CLASS**

Don't settle for average grades

Standard electrohydraulic (EH) controls make it easy to add the grade-control system of your choice. When you opt for SmartGrade Ready including Slope Control, it's easy to upgrade to the fully integrated John Deere SmartGrade machine-control system.

The choice is yours

Looking for the most powerful dozer in its class? Take a close look at the 750L. Or if you need something slightly smaller but still extremely capable, consider the 700L, with more power and blade capacity than the previous 700K model.

More power to you

Delivering six-percent more horsepower than the 750K, the 750L powers through. The 700L provides more horsepower than the 700K. Both models have the highest horsepower and largest blade capacity in their size class.

More reliable routing

Routing of the electrical and hydraulic systems has been significantly simplified to nearly eliminate wear points, improving reliability and ease of maintenance over earlier models.



IT'S ABOUT FLEXIBILITY

WITH OPTIONAL SLOPE CONTROL AND SMARTGRADE™.

Both the 700L and 750L can be equipped with optional new factory-installed SmartGrade Ready including Slope Control that automatically maintains the blade angle without needing an external laser or GPS. SmartGrade Ready enables easy upgrades to a full SmartGrade 3D grade-control system in the field.



SLOPE CONTROL EASES THE PATH TO SMARTGRADE

Push productivity to the limit

Combining more power than any dozer in its class with additional weight over its predecessor, the 750L is 12-percent more productive in backfilling applications than its closest competitor.

Bigger blades

New 161-inch-wide blade option on the 750L allows you to cover larger jobsites in fewer passes. Integrated welded-on spill sheet on the 700L increases blade capacity up to 24 percent compared to 700K blade options.

Durable diesel

Unlike many competitor machines that run four-cylinder engines, the 700L features a reliable six-cylinder 6.8L engine that delivers more power than the previous 700K model.

Turn, turn, turn

Independent track control speeds up or slows down each side, for smooth, full-power turns. Automatic power boost helps carry big blade loads through turns.

Slope Control

Optional SmartGrade Ready including Slope Control provides simple-to-use grade control that allows operators to set and hold a grade or slope through terrain changes. It helps both new and veteran operators to hold grade with less effort, fewer corrections, and minimal adjustments to the blade.

A smart choice

SmartGrade features next-generation components and integration, enabling the highest levels of productivity and grading performance.



The power of SmartGrade

Unlike traditional aftermarket grade-control systems that are prone to theft, damage, and complicated installation, purpose-built John Deere SmartGrade Dozers combine powerful mastless technology with our track load-sensing system. These highly productive crawlers feature a fully integrated grade-control system that is easy to set up and run. And they're backed by the Deere dealer network and supported through features like wireless data transfer and remote display access.

Extend your workday

Optional high-output LED lighting package provides additional illumination when you need to work past or before daylight.

Outside dozer blade

With heavy-duty high-profile push beams and a three-position pitch-adjustable semi-U blade, the outside dozer (OSD) blade-equipped 750L Dozer delivers exceptional durability and high-production performance. Heavy-duty crossmembers provide solid lateral support and allow a clear view of the bottom of the blade. Available turnbuckle pitch jack helps fine-tune blade pitch for improved ground penetration and load carrying.

LOOK FORWARD TO MORE PRODUCTIVITY

LET'S SEE WHAT YOU CAN DO.

Boasting better visibility than earlier models and a host of creature comforts, the quiet, spacious cab will help you set your sights (and jobsites) on getting more done.

See what you've been missing

A wider expanse of front glass; a lower, streamlined hood; and larger doors provide better visibility to the blade and the worksite all around.

Quality seat time

Both the standard deluxe fabric-covered seat and the optional premium leather-accented heated/ventilated seat feature pan tilt, pan extend, lumbar adjustment, and air suspension with full damping capability.

Peace and quiet

On the 700L, new rubber-encased viscous cab mounts help reduce noise by over 50 percent compared to the 700K. They also effectively isolate operators from vibration to improve the ride.

Low-effort control

Updated ergonomic joysticks provide intuitive, low-effort control of the transmission, hydraulics, and rear implement.

Set and forget

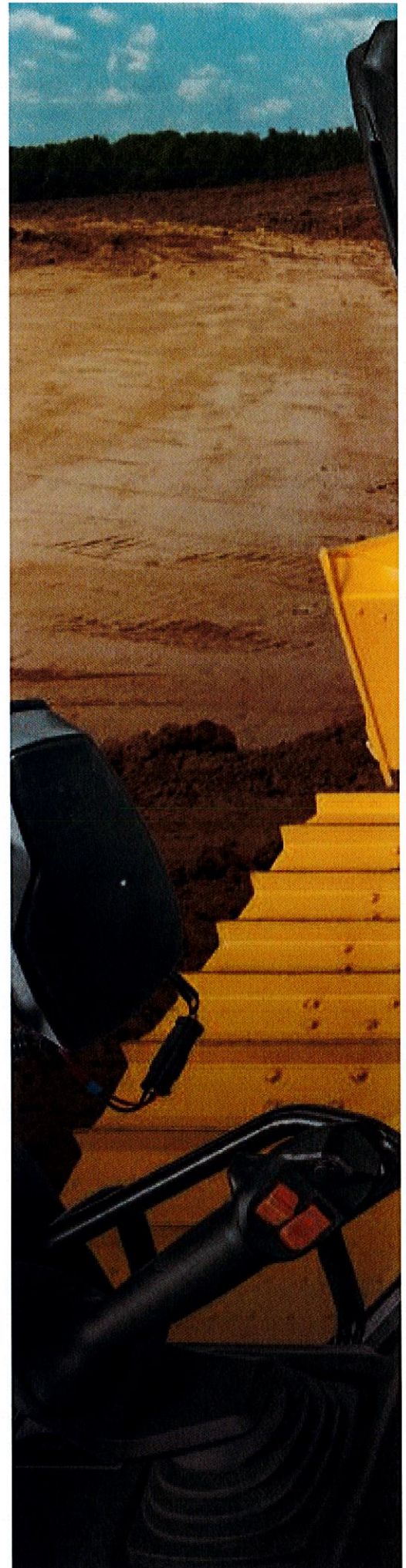
Optional automatic temperature control (ATC) system allows operators to simply select a desired temperature instead of fiddling with knobs to get comfortable.

Keep close tabs on the machine

Large, easy-to-navigate monitor provides intuitive, push-button access to a wealth of machine information, including temperatures, pressures, and diagnostics. Opt for a rearview camera to display the action behind the machine on the color monitor.

Take total control

Exclusive Total Machine Control (TMC) monitor lets an operator quickly change between machine presets with the simple push of a button, or independently adjust decelerator mode and response, forward/reverse ground-speed ranges, steering modulation, F-N-R shift rate, and forward/reverse speed ratio.





16%
MORE
GLASS AREA
(700L OVER 700K)

VISIONARY.

L-SERIES DOZERS WON'T LET UP OR LET YOU DOWN.

You can count on these dependable workers to tackle your toughest tasks. When you know how they're built, you'll see what the L-Series can take on.

Built tough

The 700L and 750L have been beefed-up with thicker sheet metal; larger doors and hydrostatic pumps; a sealed engine compartment; a simplified, heavier-duty mainframe; and a more robust c-frame-to-mainframe joint (750L only) than previous models.

Undercarriage options


Both models come standard with a durable heavy-duty undercarriage. Or opt for Extended Life undercarriage with SC-2™-treated bushings, a parts coating that delivers up to twice the wear life. Maximum Life undercarriage, with larger components and stronger seals, is available on the 700L.

Save fuel

Standard Eco mode adjusts engine power and transmission settings automatically based on load while maintaining ground speed, improving fuel economy up to 15 percent for both the 700L and 750L with no loss of productivity. Auto-idle also helps save fuel by reducing engine speed when the dozer isn't moving. Auto shutdown turns the engine off after an operator-determined period of idling, further minimizing fuel use while reducing wear on components.

Clear the way

Factory-installed limb risers and screens allow you to put this dozer to work in forestry, land-clearing, and other challenging applications.



**NEVER
BACK DOWN.**



UP TO

15%

**LESS FUEL
CONSUMPTION**

**THAN K-SERIES MODELS
WITH ECO MODE***

**With no loss of productivity.*



BURN LESS, EARN MORE.

KEEP FUEL AND OPERATING COSTS DOWN.

Minimal maintenance

Enlarged service doors provide quick access to conveniently located checkpoints and filters. Extended hydraulic and hydrostatic oil-change intervals from 2,000 to 4,000 hours help further minimize maintenance and expense.

Reversing cooling fan

Hydraulic reversing fan (standard on the 750L, optional on the 700L) automatically back-blows the cooler cores at preset intervals. Or simply press a button when conditions demand more frequent cleaning.

Now that's smart thinking

When equipped with optional SmartGrade™ Ready including Slope Control, the 700L and 750L have the versatility of a 2D system combined with 3D accuracy, helping optimize the productivity of your operation.

Easy cooling-package cleanout

Redesigned layout of the single-plane cooling system promotes efficient airflow, extending intervals between cleanouts.



Get valuable insight with

JOHN DEERE WORKSIGHT™

The John Deere WorkSight suite of construction technology delivers **Productivity Solutions** to help you get more done, more efficiently. The in-base, five-year JDLink™ telematics subscription provides machine location, utilization data, and alerts to help you maximize productivity and efficiency. Other productivity solutions including grade-management and payload-weighting options are also available.

To maximize uptime and lower costs, JDLink telematics also enables **John Deere Connected Support.™** John Deere's centralized Machine Health Monitoring Center analyzes data from thousands of connected machines, identifies trends, and develops recommended actions, called Expert Alerts, to prevent downtime. Dealers use Expert Alerts to proactively address conditions that may otherwise likely lead to downtime. Your dealer can also monitor machine health and leverage remote diagnostics and programming capability to further diagnose problems and even update machine software without a time-consuming trip to the jobsite.

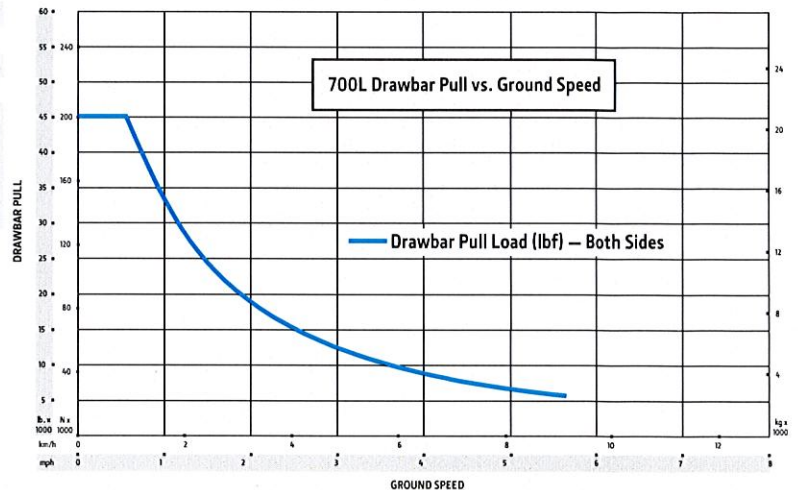




700L SPECIFICATIONS

While general information, pictures, and descriptions are provided, some illustrations and text may include product options and accessories NOT AVAILABLE in all regions, and in some countries products and accessories may require modifications or additions to ensure compliance with the local regulations of those countries.

Engine	700L XLT / 700L LGP
Blade Type	Power-Angle-Tilt (PAT)
Manufacturer and Model	John Deere PowerTech™ PVS 6068 ✓
Non-Road Emission Standard	EPA Final Tier 4/EU Stage V
Displacement	6.8L (414 cu. in.) ✓
SAE Net Rated Power	101 kW (135 hp) at 1,800 rpm
Aspiration	Turbocharged with charge-air cooler
Air Cleaner	Dual-stage dry tube with tangential unloader
Cooling	
Type	Variable-speed suction fan with optional reversing feature
Engine Coolant Rating	-37 deg. C. (-34 deg. F)
Engine Radiator	10 fins per in.
Powertrain	
Transmission	Automatic, dual-path, hydrostatic (HST) drive; load-sensing feature automatically adjusts speed and power to match changing load conditions; each individually controlled track is powered by a variable-displacement piston pump and motor combination; ground-speed selection buttons on single-lever steering and direction control; reverse speed ratio is fully operator customizable; decelerator pedal provides infinite speed control from full speed to complete stop
System Relief Pressure	47 573 kPa (6,900 psi)
Travel Speeds	
Forward and Reverse	8.9 km/h (5.5 mph)
Maximum (optional)	9.7 km/h (6.0 mph)
Steering	Single-lever steering, speed, direction control, and counter-rotation; full power turns and infinitely variable track speeds provide unlimited maneuverability and optimum control; HST steering eliminates steering clutches and brakes
Final Drives	Triple-reduction final drives mounted independently of track frames and dozer push frames for isolation from shock loads
Total Ratio	33.59 to 1
Drawbar Pull	
Maximum	200 kN (45,050 lb.)
At 1.9 km/h (1.2 mph)	131 kN (29,500 lb.)
At 3.2 km/h (2.0 mph)	83 kN (18,600 lb.)
Brakes	
Service	HST (dynamic) braking stops the machine whenever the direction-control lever is moved to neutral or the decelerator is depressed to the detent
Parking	Exclusive safety feature engages wet, multiple-disc brakes whenever the engine stops, the decelerator is depressed to the end of travel, or motion is detected while the transmission control is in neutral; machine cannot be driven with brake applied, minimizing wearout; spring applied, hydraulic release
Hydraulics	
Type	Open-center hydraulic system with fixed-displacement gear pump
Pump Displacement	47.5 cc
System Relief Pressure	22 063 kPa (3,200 psi)
Maximum Flow at Unloaded High Idle	95 L/m (25 gpm)
Control	3-function electrohydraulic (EH) joystick with proportional roller-angle function
Electrical	
Voltage	24 volts
Capacity	
Battery	950 CCA
Reserve	175 min.



700L SPECIFICATIONS



While general information, pictures, and descriptions are provided, some illustrations and text may include product options and accessories NOT AVAILABLE in all regions, and in some countries products and accessories may require modifications or additions to ensure compliance with the local regulations of those countries.

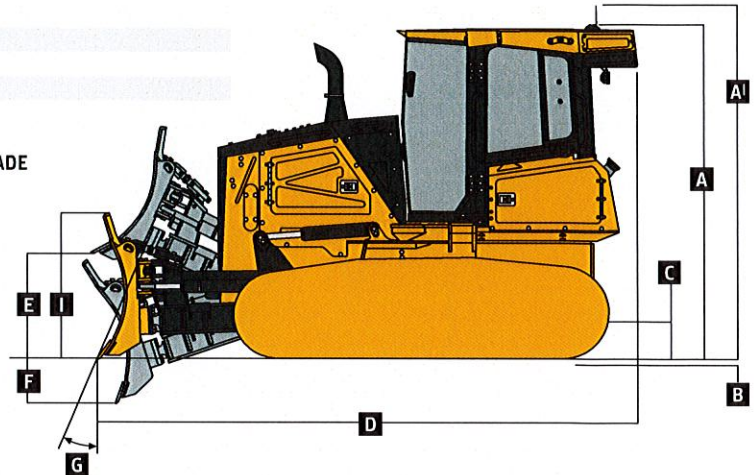
Electrical (continued)	700L XLT / 700L LGP			
Blade Type	PAT			
Alternator Rating				
Cab	145 amp			
Canopy	110 amp			
Lights				
Halogen	Cab-mounted front (2) and cab-mounted rear (2)			
Premium LED	Cab-mounted front (4) and cab-mounted rear (2)			
Undercarriage	700L XLT	700L LGP		
Tracks	John Deere features large deep-heat-treated components; pins and bushings are sealed for life; rollers and idlers are permanently sealed and lubricated; sprockets are segmented; full-length track-frame covers reduce material buildup and ease cleaning			
Track Gauge	1778 mm (70 in.)	1778 mm (70 in.)	1981 mm (78 in.)	1981 mm (78 in.)
Grouser Width	559 mm (22 in.)	559 mm (22 in.)	760 mm (30 in.)	760 mm (30 in.)
Chain	Sealed and lubricated	Sealed and lubricated	Sealed and lubricated	Sealed and lubricated
Shoes, Each Side	39	39	39	39
Track Rollers, Each Side	7	7	7	7
Track Length on Ground	2615 mm (103 in.)	2615 mm (103 in.)	2615 mm (103 in.)	2615 mm (103 in.)
Ground Contact Area	32 569 cm ² (5,048 sq. in.)	32 569 cm ² (5,048 sq. in.)	44 201 cm ² (6,851 sq. in.)	44 201 cm ² (6,851 sq. in.)
Ground Pressure	42.2 kPa (6.12 psi)	42.3 kPa (6.14 psi)	32.1 kPa (4.66 psi)	32.3 kPa (4.68 psi)
Track Pitch	191 mm (7.5 in.)	191 mm (7.5 in.)	191 mm (7.5 in.)	191 mm (7.5 in.)
Oscillation at Front Roller	±94 mm (±3.7 in.)	±94 mm (±3.7 in.)	±94 mm (±3.7 in.)	±94 mm (±3.7 in.)
Operator Station	700L XLT / 700L LGP			
ROPS (ISO 3471 – 2008) and FOPS (ISO 3449 – 2005) Level II				
Serviceability				
Refill Capacities				
Fuel Tank With Lockable Cap	262 L (69.2 gal.)			
Diesel Exhaust Fluid (DEF) Tank	14.2 L (3.8 gal.)			
Cooling System With Recovery Tank	31.4 L (8.3 gal.)			
Engine Oil With Filter	28 L (7.4 gal.)			
Transmission/Hydraulic Reservoir With Filter	102 L (26.9 gal.)			
Operating Weights	700L XLT	700L LGP		
<i>Base Weight (with standard equipment, rollover protective structure [ROPS], full fuel tank, and 79-kg [175 lb.] operator)</i>	14 016 kg (30,900 lb.)	14 049 kg (30,973 lb.)	14 489 kg (31,943 lb.) ✓	14 555 kg (32,088 lb.)
Optional Components				
Cab With Pressurizer and Heater/Air Conditioner	230 kg (507 lb.)	230 kg (507 lb.)	230 kg (507 lb.)	230 kg (507 lb.)
Rear Screen				
ROPS Canopy	28 kg (62 lb.)	28 kg (62 lb.)	28 kg (62 lb.)	28 kg (62 lb.)
Cab With Air Conditioner	49 kg (108 lb.)	49 kg (108 lb.)	49 kg (108 lb.)	49 kg (108 lb.)
Screens – Full Enclosure, Cab With Air Conditioner	219 kg (483 lb.)	219 kg (483 lb.)	219 kg (483 lb.)	219 kg (483 lb.)
Limb Risers (ROPS canopy and cab)	182 kg (401 lb.)	182 kg (401 lb.)	182 kg (401 lb.)	182 kg (401 lb.)
Heavy-Duty Grille	13 kg (29 lb.)	13 kg (29 lb.)	13 kg (29 lb.)	13 kg (29 lb.)
Counterweight				
Front	144 kg (317 lb.)	144 kg (317 lb.)	144 kg (317 lb.)	144 kg (317 lb.)
Rear	468 kg (1,032 lb.)	468 kg (1,032 lb.)	468 kg (1,032 lb.)	468 kg (1,032 lb.)
Retrieval Hitch	31 kg (68 lb.)	31 kg (68 lb.)	31 kg (68 lb.)	31 kg (68 lb.)
Drawbar, Extended Rigid	93 kg (205 lb.)	93 kg (205 lb.)	93 kg (205 lb.)	93 kg (205 lb.)
Winch	652 kg (1,437 lb.)	652 kg (1,437 lb.)	652 kg (1,437 lb.)	652 kg (1,437 lb.)
Fairlead, 4 Roller	85 kg (187 lb.)	85 kg (187 lb.)	85 kg (187 lb.)	85 kg (187 lb.)
Full-Length Rock Guards	155 kg (342 lb.)	155 kg (342 lb.)	155 kg (342 lb.)	155 kg (342 lb.)
Maximum Life Undercarriage	211 kg (465 lb.)	211 kg (465 lb.)	211 kg (465 lb.)	211 kg (465 lb.)
Track Shoes				
559 mm (22 in.)	In base	In base	–507 kg (–1,118 lb.)	–507 kg (–1,118 lb.)
610 mm (24 in.)	–	–	–392 kg (–864 lb.)	–392 kg (–864 lb.)
760 mm (30 in.) ✓	–	–	In base	In base

700L

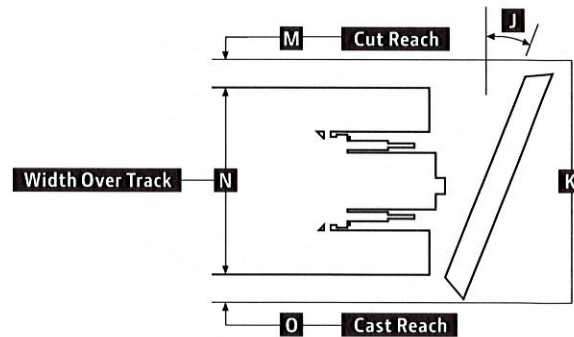
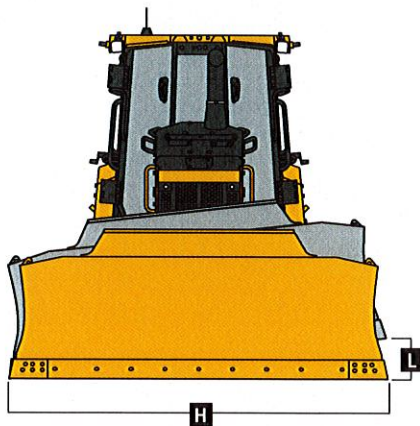
While general information, pictures, and descriptions are provided, some illustrations and text may include product options and accessories NOT AVAILABLE in all regions, and in some countries products and accessories may require modifications or additions to ensure compliance with the local regulations of those countries.

Machine Dimensions	700L XLT / 700L LGP
Blade Type	Power-Angle-Tilt (PAT)
A Overall Height to Roof (includes antenna base)	3047 mm (10 ft. 0 in.)
A ^I Overall Height With Limb Risers	3138 mm (10 ft. 4 in.)
B Tread Depth With Single-Bar Grouser	56 mm (2.2 in.)
C Ground Clearance in Dirt	387 mm (15.2 in.)
D Overall Length	4906 mm (193 in.) (16 ft. 1 in.)
D ^I Overall Length With Extended Drawbar	5078 mm (200 in.) (16 ft. 8 in.)
D ^{II} Overall Length With Extended Drawbar and Rear Counterweight	5205 mm (205 in.) (17 ft. 1 in.)
D ^{III} Overall Length With Winch and Fairlead Rollers	5474 mm (216 in.) (18 ft. 0 in.)
E Blade Lift Height	977 mm (38 in.) (3 ft. 2 in.)
F Blade Digging Depth	536 mm (21 in.)
G Blade Cutting Edge Angle, Adjustable	51.2 to 58.3 deg.

700L XLT / 700L LGP WITH POWER-ANGLE-TILT (PAT) BLADE



Machine Dimensions (continued)	700L XLT	700L LGP		
Straight				
H Blade Width	3077 mm (121 in.) (10 ft. 1 in.)	3231 mm (127 in.) (10 ft. 7 in.)	3383 mm (133 in.) (11 ft. 1 in.)	3688 mm (145 in.) (12 ft. 1 in.)
I Blade Height	1322 mm (52 in.) (4 ft. 4 in.)	1322 mm (52 in.) (4 ft. 4 in.)	1322 mm (52 in.) (4 ft. 4 in.)	1322 mm (52 in.) (4 ft. 4 in.)
SAE Capacity	3.4 m ³ (4.4 cu. yd.)	3.5 m ³ (4.6 cu. yd.)	3.6 m ³ (4.8 cu. yd.)	3.9 m ³ (5.1 cu. yd.)
Weight	811 kg (1,788 lb.)	844 kg (1,861 lb.)	875 kg (1,929 lb.)	941 kg (2,075 lb.)
C-Frame Assembly Weight (without blade)	803 kg (1,770 lb.)	803 kg (1,770 lb.)	803 kg (1,770 lb.)	803 kg (1,770 lb.)
J Blade Angle	25 deg.	25 deg.	25 deg.	25 deg.
K Overall Width With Blade Angled	2808 mm (111 in.) (9 ft. 3 in.)	2912 mm (115 in.) (9 ft. 7 in.)	3049 mm (120 in.) (10 ft. 0 in.)	3324 mm (131 in.) (10 ft. 11 in.)
L Blade Tilt	426 mm (17 in.)	447 mm (18 in.)	468 mm (18 in.)	510 mm (20 in.)
M Cut Reach	0 mm (0 in.)	64 mm (3 in.)	133 mm (5 in.)	270 mm (11 in.)
N Width Over Track	2338 mm (92 in.) (7 ft. 8 in.)	2338 mm (92 in.) (7 ft. 8 in.)	2741 mm (108 in.) (9 ft. 0 in.)	2741 mm (108 in.) (9 ft. 0 in.)
O Cast Reach	441 mm (17 in.)	510 mm (20 in.)	378 mm (15 in.)	515 mm (20 in.)



While general information, pictures, and descriptions are provided, some illustrations and text may include product options and accessories NOT AVAILABLE in all regions, and in some countries products and accessories may require modifications or additions to ensure compliance with the local regulations of those countries.

Rear Ripper 700L XLT / 700L LGP

Blade Type PAT

Multi-shank parallelogram ripper with 5 pockets and 3 shanks

Weight 1444 kg (3,183 lb.)

P Maximum Penetration 563 mm (22 in.)

Q Maximum Clearance Under Tip 584 mm (23 in.)

R Overall Length, Lowered Position 1494 mm (59 in.) (4 ft. 11 in.)

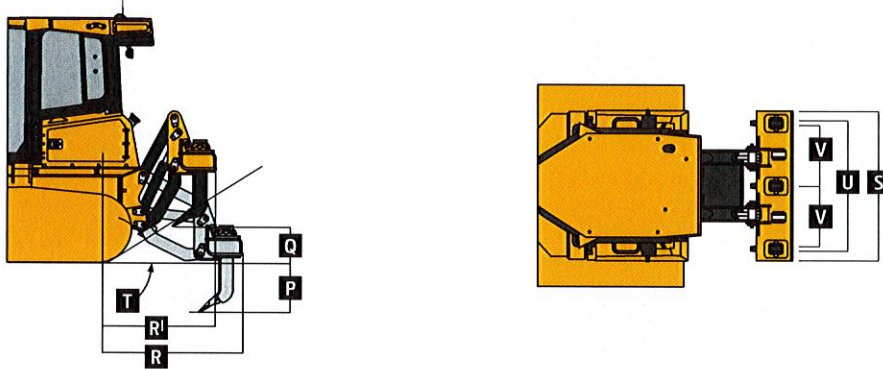
R' Overall Length, Raised Position 1210 mm (48 in.) (4 ft. 0 in.)

S Overall Beam Width 1930 mm (76 in.) (6 ft. 4 in.)

T Slope Angle (full raise) 26 deg.

U Ripping Width 1673 mm (66 in.) (5 ft. 6 in.)

V Distance Between Shanks 806 mm (32 in.)



4000S Winch 700L XLT / 700L LGP

W Winch Length 798 mm (31 in.)

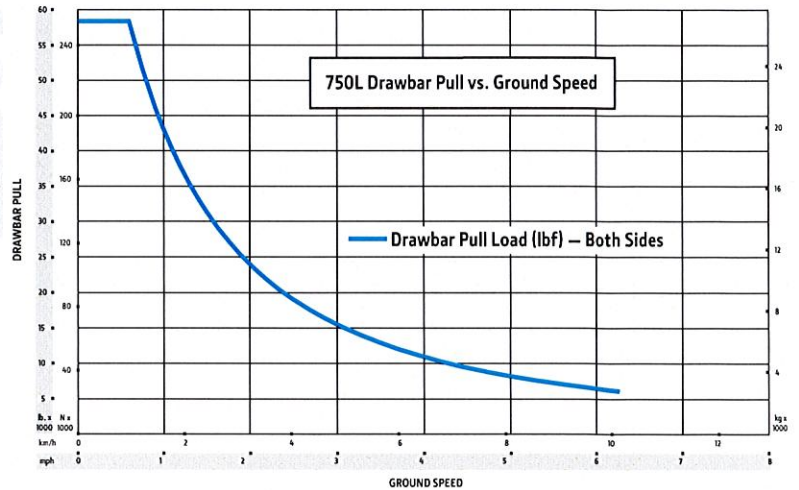




750L SPECIFICATIONS

While general information, pictures, and descriptions are provided, some illustrations and text may include product options and accessories NOT AVAILABLE in all regions, and in some countries products and accessories may require modifications or additions to ensure compliance with the local regulations of those countries.

Engine		750L XLT / 750L LGP	750L
Blade Type		<i>Power-Angle-Tilt (PAT)</i>	<i>Outside Dozer (OSD)</i>
Manufacturer and Model		John Deere PowerTech™ PVS 6068	John Deere PowerTech PVS 6068
Non-Road Emission Standard		EPA Final Tier 4/EU Stage V	EPA Final Tier 4/EU Stage V
Displacement		6.8L (414 cu. in.)	6.8L (414 cu. in.)
SAE Net Rated Power		131 kW (175 hp) at 1,700 rpm	131 kW (175 hp) at 1,700 rpm
Aspiration		Turbocharged with charge-air cooler	Turbocharged with charge-air cooler
Air Cleaner		Vacuum-aspirated dual-element dry canister	Vacuum-aspirated dual-element dry canister
Cooling		750L XLT / 750L LGP / 750L	
Type		Variable-speed suction fan with automatic reversing	
Engine Coolant Rating		-37 deg. C. (-34 deg. F)	
Engine Radiator		10 fins per in.	
Powertrain			
Transmission		Automatic, dual-path, hydrostatic (HST) drive; load-sensing feature automatically adjusts speed and power to match changing load conditions; each individually controlled track is powered by a variable-displacement piston pump and motor combination; ground-speed selection buttons on single-lever steering and direction control; reverse speed ratio is fully operator customizable; decelerator pedal provides infinite speed control from full speed to complete stop	
System Relief Pressure		47 574 kPa (6,900 psi)	
Travel Speeds			
Forward and Reverse		9.7 km/h (6.0 mph)	
Maximum (optional)		11.0 km/h (6.8 mph)	
Steering		Single-lever steering, speed, direction control, and counter-rotation; full power turns and infinitely variable track speeds provide unlimited maneuverability and optimum control; HST steering eliminates steering clutches and brakes	
Final Drives		Double-reduction, planetary final drives mounted independently of track frames and dozer push frames for isolation from shock loads	
Total Ratio		46.41 to 1	
Drawbar Pull			
Maximum		259 kN (58,250 lb.)	
At 1.9 km/h (1.2 mph)		167 kN (37,500 lb.)	
At 3.2 km/h (2.0 mph)		106 kN (23,750 lb.)	
Brakes			
Service		HST (dynamic) braking stops the machine whenever the direction-control lever is moved to neutral or the decelerator is depressed to the detent	
Parking		Exclusive safety feature engages wet, multiple-disc brakes whenever the engine stops, the decelerator is depressed to the end of travel, or motion is detected while the transmission control is in neutral; machine cannot be driven with brake applied, minimizing wearout; spring applied, hydraulic release	
Hydraulics		750L XLT / 750L LGP	750L
Type		Open-center load-sense hydraulic system with variable-displacement piston pump	
Pump Displacement		63 cc	
System Relief Pressure		24 993 kPa (3,625 psi)	
Differential Pressure		1896 kPa (275 psi)	
Maximum Flow at Unloaded High Idle		130 L/m (34 gpm)	
Control		3-function electrohydraulic (EH) joystick with proportional roller-angle function	2-function EH joystick
Electrical		750L XLT / 750L LGP / 750L	
Voltage		24 volts	
Capacity		950 CCA	
Battery		175 min.	
Reserve			



750L SPECIFICATIONS



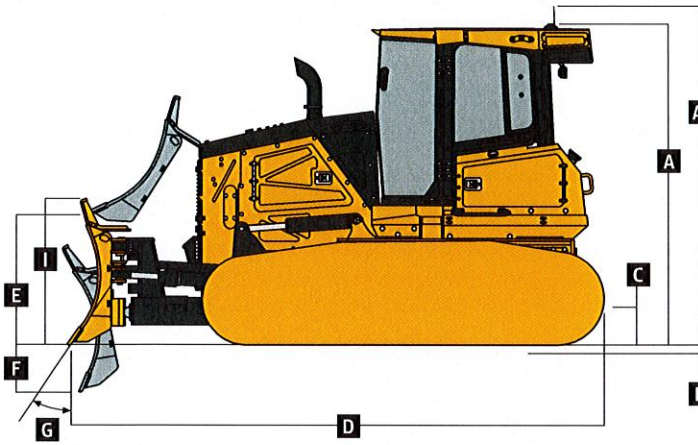
While general information, pictures, and descriptions are provided, some illustrations and text may include product options and accessories NOT AVAILABLE in all regions, and in some countries products and accessories may require modifications or additions to ensure compliance with the local regulations of those countries.

Electrical (continued)		750L XLT / 750L LGP / 750L		
Alternator Rating				
Cab	145 amp			
Canopy	110 amp			
Lights				
Halogen	Cab-mounted front (2), cab-mounted rear (2), and engine compartment (1)			
Premium LED	Cab-mounted front (4), cab-mounted rear (2), and engine compartment (1)			
Undercarriage	750L XLT	750L LGP		750L
Blade Type	PAT	PAT		OSD
Tracks	Track frame with front and rear track guides and sprocket guard; John Deere undercarriage features deep heat-treated, sealed, and lubricated track links and through-hardened, sealed, and lubricated rollers for maximum wear resistance; sprockets are segmented; extreme-duty shoes are available (on some models) for severe applications			
Track Gauge	1880 mm (74 in.)	2134 mm (84 in.)	2134 mm (84 in.)	1880 mm (74 in.)
Grouser Width	559 mm (22 in.)	860 mm (34 in.)	860 mm (34 in.)	610 mm (24 in.)
Chain	Sealed and lubricated	Sealed and lubricated		Sealed and lubricated
Shoes, Each Side	45	45	45	40
Track Rollers, Each Side	8	8	8	7
Track Length on Ground	3093 mm (122 in.)	3093 mm (122 in.)	3093 mm (122 in.)	2604 mm (103 in.)
Ground Contact Area	38 232 cm ² (5,926 sq. in.)	58 373 cm ² (9,048 sq. in.)		35 677 cm ² (5,530 sq. in.)
Ground Pressure	43.7 kPa (6.34 psi)	30.5 kPa (4.42 psi)	30.5 kPa (4.43 psi)	47.8 kPa (6.93 psi)
Track Pitch	191 mm (7.5 in.)	191 mm (7.5 in.)	191 mm (7.5 in.)	191 mm (7.5 in.)
Oscillation at Front Roller	±135 mm (±5.3 in.)	±127 mm (±5.0 in.)	±127 mm (±5.0 in.)	±110 mm (±4.3 in.)
Operator Station	750L XLT / 750L LGP / 750L			
	ROPS (ISO 3471 – 2008) and FOPS (ISO 3449 – 2005) Level II			
Serviceability				
Refill Capacities				
Fuel Tank With Lockable Cap	370 L (97.7 gal.)			
Cooling System With Recovery Tank	31.4 L (8.3 gal.)			
Engine Oil With Filter	28 L (7.4 gal.)			
Reservoir With Filter				
Transmission	57 L (15.1 gal.)			
Hydraulic	98 L (25.9 gal.)			
Diesel Exhaust Fluid (DEF) Reservoir	14.2 L (3.8 gal.)			
Operating Weights	750L XLT	750L LGP		750L
Base Weight (with standard equipment, rollover protective structure [ROPS], full fuel tank, and 79-kg [175 lb.] operator)	17 041 kg (37,569 lb.)	18 133 kg (39,976 lb.)	18 162 kg (40,040 lb.)	17 386 kg (38,330 lb.)
Optional Components				
Cab With Pressurizer and Heater/ Air Conditioner	230 kg (507 lb.)	230 kg (507 lb.)	230 kg (507 lb.)	230 kg (507 lb.)
Rear Screen				
ROPS Canopy	28 kg (62 lb.)	28 kg (62 lb.)	28 kg (62 lb.)	28 kg (62 lb.)
Cab With Air Conditioner	49 kg (108 lb.)	49 kg (108 lb.)	49 kg (108 lb.)	49 kg (108 lb.)
Screens – Full Enclosure, Cab With Air Conditioner	219 kg (483 lb.)	219 kg (483 lb.)	219 kg (483 lb.)	219 kg (483 lb.)
Limb Risers (ROPS canopy and cab)	186 kg (410 lb.)	186 kg (410 lb.)	186 kg (410 lb.)	186 kg (410 lb.)
Heavy-Duty Grille	30 kg (65 lb.)	30 kg (65 lb.)	30 kg (65 lb.)	30 kg (65 lb.)
Rear Counterweight	326 kg (720 lb.)	326 kg (720 lb.)	326 kg (720 lb.)	326 kg (720 lb.)
Retrieval Hitch	37 kg (81 lb.)	37 kg (81 lb.)	37 kg (81 lb.)	37 kg (81 lb.)
Drawbar, Extended Rigid	111 kg (245 lb.)	111 kg (245 lb.)	111 kg (245 lb.)	111 kg (245 lb.)
Center Chain Guides	61 kg (135 lb.)	61 kg (135 lb.)	61 kg (135 lb.)	61 kg (135 lb.)
Full-Length Rock Guards	221 kg (487 lb.)	221 kg (487 lb.)	221 kg (487 lb.)	178 kg (392 lb.)
Track Shoes				
559-mm (22 in.) Moderate Duty	In base	-759 kg (-1,674 lb.)	-759 kg (-1,674 lb.)	–
610-mm (24 in.) Moderate Duty	86 kg (190 lb.)	-673 kg (-1,484 lb.)	-673 kg (-1,484 lb.)	In base
610-mm (24 in.) Extreme Duty	350 kg (772 lb.)	-409 kg (-902 lb.)	-409 kg (-902 lb.)	230 kg (507 lb.)
710-mm (28 in.) Moderate Duty	–	-363 kg (-800 lb.)	-363 kg (-800 lb.)	–
860-mm (34 in.) Moderate Duty	–	In base	In base	–

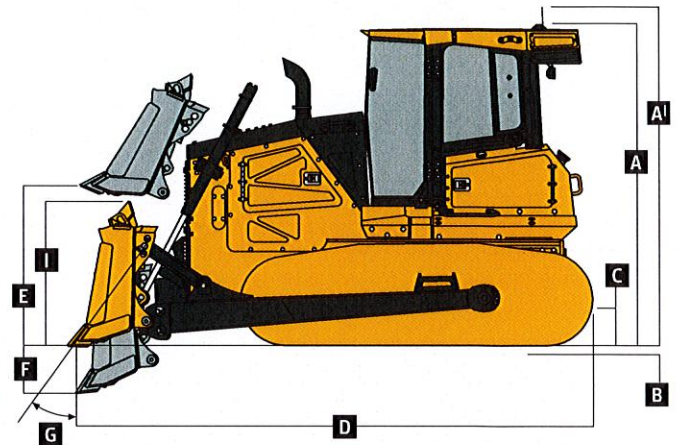
750L

While general information, pictures, and descriptions are provided, some illustrations and text may include product options and accessories NOT AVAILABLE in all regions, and in some countries products and accessories may require modifications or additions to ensure compliance with the local regulations of those countries.

Machine Dimensions	750L XLT	750L LGP	750L
Blade Type	Power-Angle-Tilt (PAT)	Power-Angle-Tilt (PAT)	Outside Dozer (OSD)
A Overall Height to Roof (includes antenna base and grouser height)	3248 mm (10 ft. 8 in.)	3248 mm (10 ft. 8 in.)	3248 mm (10 ft. 8 in.)
A' Overall Height With Limb Risers (includes grousers)	3343 mm (11 ft. 6 in.)	3343 mm (11 ft. 6 in.)	3343 mm (11 ft. 6 in.)
B Tread Depth With Single-Bar Grouser			
Moderate Duty	69 mm (2.7 in.)	69 mm (2.7 in.)	69 mm (2.7 in.)
Extreme Duty	69 mm (2.7 in.)	69 mm (2.7 in.)	69 mm (2.7 in.)
C Ground Clearance in Dirt	358 mm (14 in.)	358 mm (14 in.)	358 mm (14 in.)
D Overall Length	5359 mm (211 in.) (17 ft. 7 in.)	5359 mm (211 in.) (17 ft. 7 in.)	6054 mm (238 in.) (19 ft. 10 in.)
D' Overall Length With Extended Drawbar	5602 mm (221 in.) (18 ft. 5 in.)	5602 mm (221 in.) (18 ft. 5 in.)	6297 mm (248 in.) (20 ft. 8 in.)
E Blade Lift Height	904 mm (36 in.) (3 ft. 0 in.)	904 mm (36 in.) (3 ft. 0 in.)	1035 mm (40.7 in.) (3 ft. 4.7 in.)
F Blade Digging Depth	648 mm (25.5 in.)	648 mm (25.5 in.)	594 mm (23.4 in.)
G Blade Cutting-Edge Angle, Adjustable	54.3 to 59.4 deg.	54.3 to 59.4 deg.	51.2 to 59.2 deg.



750L XLT / 750L LGP WITH POWER-ANGLE-TILT (PAT) BLADE

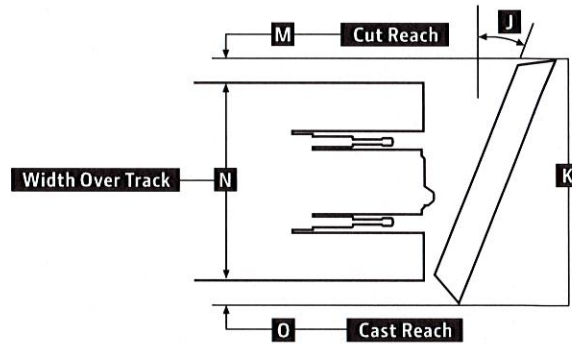
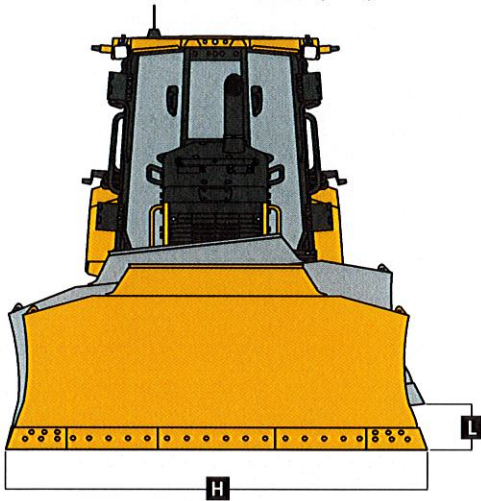


750L WITH OUTSIDE DOZER (OSD) BLADE

Machine Dimensions (continued)	750L XLT	750L LGP	750L
Semi-U			
H Blade Width	—	—	3265 mm (129 in.) (10 ft. 9 in.)
I Blade Height	—	—	1435 mm (56.5 in.) (4 ft. 8.5 in.)
SAE Capacity	—	—	4.3 m ³ (5.6 cu. yd.)
Weight	—	—	1350 kg (2,976 lb.)
Push-Beam Assembly Weight (without blade)	—	—	1274 kg (2,809 lb.)
L Blade Tilt	—	—	681 mm (27 in.)
N Width Over Track	—	—	2440 mm (96 in.) (8 ft. 0 in.)

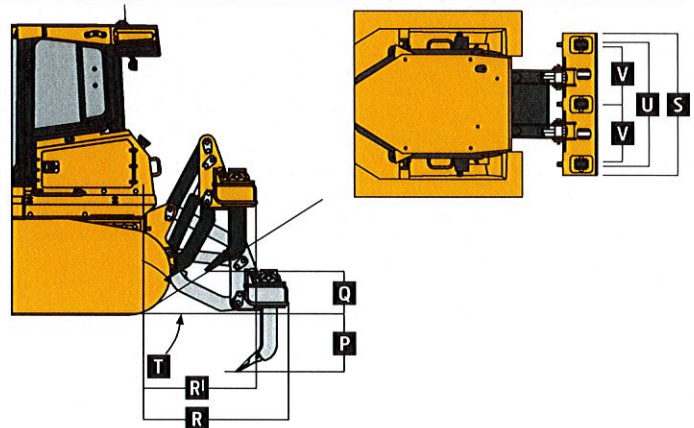
While general information, pictures, and descriptions are provided, some illustrations and text may include product options and accessories NOT AVAILABLE in all regions, and in some countries products and accessories may require modifications or additions to ensure compliance with the local regulations of those countries.

Machine Dimensions (continued)	750L XLT	750L LGP	750L
Blade Type	PAT	PAT	OSD
Straight			
H Blade Width	3296 mm (130 in.) (10 ft. 10 in.)	3962 mm (156 in.) (13 ft. 0 in.)	4083 mm (161 in.) (13 ft. 5 in.)
I Blade Height	1444 mm (57 in.) (4 ft. 9 in.)	1427 mm (56 in.) (4 ft. 8 in.)	—
SAE Capacity	3.9 m ³ (5.2 cu. yd.)	4.5 m ³ (5.9 cu. yd.)	4.6 m ³ (6.0 cu. yd.)
Weight	967 kg (2,132 lb.)	1111 kg (2,449 lb.)	1140 kg (2,513 lb.)
C-Frame Assembly Weight (without blade)	1324 kg (2,926 lb.)	1324 kg (2,926 lb.)	1324 kg (2,926 lb.)
J Blade Angle	24 deg.	24 deg.	24 deg.
K Overall Width With Blade Angled	3011 mm (118.5 in.) (9 ft. 10.5 in.)	3619 mm (142.5 in.) (11 ft. 10.5 in.)	3729 mm (147 in.) (12 ft. 3 in.)
L Blade Tilt	432 mm (17 in.)	502 mm (20 in.)	518 mm (20 in.)
M Cut Reach	57 mm (2 in.)	116 mm (5 in.)	171 mm (7 in.)
N Width Over Track	2440 mm (96 in.) (8 ft. 0 in.)	2989 mm (118 in.) (9 ft. 10 in.)	—
O Cast Reach	457 mm (18 in.)	515 mm (20 in.)	571 mm (22.5 in.)



Rear Ripper 750L XLT / 750L LGP / 750L

Multi-shank (3) parallelogram ripper	
Weight	1957 kg (4,314 lb.)
P Maximum Penetration	741 mm (29 in.)
Q Maximum Clearance Under Tip	638 mm (25 in.)
R Overall Length, Lowered Position	1689 mm (67 in.) (5 ft. 7 in.)
R ^I Overall Length, Raised Position	1448 mm (57 in.) (4 ft. 9 in.)
S Overall Beam Width	2134 mm (84 in.) (7 ft. 0 in.)
T Slope Angle (full raise)	22 deg.
U Ripping Width	1880 mm (74 in.) (6 ft. 2 in.)
V Distance Between Shanks	902 mm (36 in.) (3 ft. 0 in.)



Additional equipment

Key: ● Standard ▲ Optional or special

See your John Deere dealer for further information.

700L	750L	Engine
●	●	Meets EPA Final Tier 4/EU Stage V emissions
●	●	John Deere PowerTech™ PVS 6068 6.8L engine
●	●	Wet-sleeve cylinder liners
●	●	Eco mode
●	●	Exhaust stack, black
▲	▲	Exhaust stack, chrome
●	●	Turbocharged and air-to-air aftercooled
●	●	Dual-element dry-canister air cleaner
●	●	Engine glow-plug starting system
●	●	Programmable auto engine shutdown
●	●	Automatic turbo cool-down timer
●	●	Exhaust filter, under hood, with vertical stack
●	●	Fuel filters with automatic electronic priming
▲	▲	Severe-duty fuel filter
▲	▲	Engine coolant heater, 120 volt
●	●	110-amp alternator (canopy)
●	●	145-amp alternator (cab)
Cooling		
●	●	Hydraulically driven cooling fan, variable-speed suction type
●	●	Engine cooling rated -37 deg. C (-34 deg. F)
▲	●	Automatic, programmable reversing fan
●	●	Engine radiator, hydrostatic (HST) cooler, and hydraulic cooler, 10 fins per inch
●	●	Enclosed safety fan guard (conforms to SAE J1308 and ISO 3457)
●	●	Single-plane non-stacked cooler design

700L	750L	Powertrain
●	●	Dual-path HST transmission
●	●	Reverse-speed ratios (100%, 115%, and 130% presets or operator defined)
●	●	Operator-selectable decelerator function (hydrostats and engine or hydrostats only)
●	●	Single-lever steering with counter-rotate function
●	●	Full power turns with infinitely variable track speed
●	●	HST (dynamic) service brakes
●	●	Wet, multi-disc parking brake
●	●	Remote diagnostic test ports
●	●	Automatic cold-weather transmission warmup system
●	●	Automatic transmission derating for exceeded system temperatures
	●	Vented dedicated transmission reservoir and filtration system separate from hydraulic system
Hydraulic System		
●		Electrohydraulic (EH) system with fixed-displacement hydraulic gear pump
	●	Load-sense EH system with variable-displacement piston pump
●	●	3-spool EH control valve for Power-Angle-Tilt (PAT)
	●	3-spool EH control valve for Outside Dozer (OSD) with single auxiliary
▲	▲	4-spool EH control valve for PAT with single auxiliary

700L	750L	Hydraulic System (continued)
●	●	Grade-control-ready EH hydraulics
▲	▲	SmartGrade™ ready including Slope Control system
▲	▲	SmartGrade 3D mastless grade control including Slope Control
●	●	Hydrau™ All-Season Hydraulic Oil, -25 deg. C to 50 deg. C (-13 deg. F to 122 deg. F)
▲	▲	Hydrau™ XR Hydraulic Oil, -40 deg. C to 40 deg. C (-40 deg. F to 104 deg. F)
	▲	Cylinder-rod scrapers (PAT only)
●	●	Hydraulic pump, standard
	▲	Hydraulic pump, high flow
▲	▲	Hydraulic pump for direct-drive winch
	●	Vented dedicated hydraulic reservoir and filtration system separate from transmission system
Undercarriage		
●	●	Full-length, smooth-surface track frame covers
●	●	Double-flange rollers
●	●	Oscillating undercarriage
●		Maximum Life undercarriage system
▲	●	Heavy-duty sealed and lubricated undercarriage
▲	▲	Extended Life undercarriage with SC-2™ bushings
▲	▲	Full-length rock guards

While general information, pictures, and descriptions are provided, some illustrations and text may include product options and accessories NOT AVAILABLE in all regions, and in some countries products and accessories may require modifications or additions to ensure compliance with the local regulations of those countries.

Net engine power is with standard equipment including air cleaner, exhaust system, alternator, and cooling fan at test conditions specified per ISO9249. No derating is required up to 3050-m (10,000 ft.) altitude. Also available: winches, fair-leads, log arches, skidding grapples, trash packages, landfill protection packages, cable plows, side booms, field-installed cab for canopy, canopy heater, and fire-suppression systems. Specifications and design subject to change without notice. Wherever applicable, specifications are in accordance with SAE standards. Except where otherwise noted, these specifications are based on units with ROPS, full fuel tanks, and 79-kg (175 lb.) operators. Operator station ROPS and FOPS certified.

Additional equipment *(continued)*

Key: ● Standard ▲ Optional or special

See your John Deere dealer for further information.

700L	750L	Operator's Station
▲	▲	Canopy cab with under-seat heater
▲	▲	Enclosed cab with air/heat
▲	▲	Automatic temperature control (ATC) system
●	●	Standard seat, vinyl with heavy-duty air suspension (canopy)
●	●	Deluxe seat, cloth with heavy-duty air-suspension (cab)
▲	▲	Premium seat, leather-accented, heated and ventilated, with heavy-duty air-suspension (cab)
●	●	Under-seat heater (canopy)
●	●	AM/FM/Weather-Band (WB) radio with front auxiliary (cab)
▲	▲	Premium radio with Bluetooth®, AM/FM/WB radio, remote auxiliary, and remote USB port (cab)
●	●	Multifunction/multi-language 178-mm (7 in.) color LCD monitor: Tachometer, hour meter, transmission direction and speed (forward/reverse), exhaust filter status, ambient temperature, and clock
●	●	Built-in diagnostics: Diagnostic-code details / Sensor values / Calibrations / Individual circuit tester
●	●	Backup alarm
▲	▲	Rearview camera
●	●	12-volt accessory plug (1)
▲	▲	Additional 12-volt accessory plug
●	●	Keyless start with multiple security codes

700L	750L	Operator's Station <i>(continued)</i>
●	●	Retractable seat belt, 76 mm (3 in.) (conforms to SAE J368)
▲	▲	Fire extinguisher mounting bracket
▲	▲	External-mounted rear-attachment mirror (cab)
▲	▲	Rear wiper and washer (cab)
Overall Vehicle		
●	●	Environmental drain package
▲	▲	Fluid-sample ports
●	●	JDLink™ wireless machine communication system (available in specific countries; see your local dealer for details)
▲	▲	Quick service ports (HST, hydraulic, and engine oil, and coolant)
●	●	Halogen lights: cab-mounted front (2) and cab-mounted rear (2)
▲	▲	Premium LED lights: cab-mounted front (4) and cab-mounted rear (2)
▲	●	Engine-compartment light
▲	▲	Beacon light
▲	▲	Trimble-ready interface package
▲	▲	Leica-ready interface package
▲	▲	Heavy-duty grille
▲	▲	Final-drive trash guards (waste applications)
▲	▲	Full screens for cab
▲	▲	Rear window screen
	▲	Large debris prescreen
▲	▲	Forestry limb risers (sweeps)
●	●	Lockable master electrical disconnect switch

700L	750L	Attachments		
▲	▲	Rear ripper, parallelogram		
▲		Counterweight, front, 144 kg (317 lb.)		
▲	▲	Single rear counterweight		
▲	▲	Retrieval hitch with pin		
▲	▲	Retrieval hitch with 1 counterweight		
▲	▲	Extended rigid drawbar		
▲	▲	Extended rigid drawbar with 1 counterweight		
▲		Winch, John Deere 4000S, power in/free spool out OR power out		
▲		4-roller fairlead for winch		
	▲	Threaded pitch jack (OSD only)		
XLT	LGP	700L Shoes		
●	▲	559-mm (22 in.) moderate service		
	▲	610-mm (24 in.) moderate service		
	●	760-mm (30 in.) moderate service		
STD	XLT	LGP	750L Shoes	
		●	▲	559-mm (22 in.) moderate service
●	▲	▲	▲	610-mm (24 in.) moderate service with clipped corners
▲	▲	▲	▲	610-mm (24 in.) extreme service with clipped corners
			▲	710-mm (28 in.) moderate service
			●	860-mm (34 in.) moderate service with clipped corners

While general information, pictures, and descriptions are provided, some illustrations and text may include product options and accessories NOT AVAILABLE in all regions, and in some countries products and accessories may require modifications or additions to ensure compliance with the local regulations of those countries.

Net engine power is with standard equipment including air cleaner, exhaust system, alternator, and cooling fan at test conditions specified per ISO9249. No derating is required up to 3050-m (10,000 ft.) altitude. Also available: winches, fair-leads, log arches, skidding grapples, trash packages, landfill protection packages, cable plows, side booms, field-installed cab for canopy, canopy heater, and fire-suppression systems. Specifications and design subject to change without notice. Wherever applicable, specifications are in accordance with SAE standards. Except where otherwise noted, these specifications are based on units with ROPS, full fuel tanks, and 79-kg (175 lb.) operators. Operator station ROPS and FOPS certified.





STANDARD WARRANTY FOR NEW JOHN DEERE CONSTRUCTION, COMPACT CONSTRUCTION (CCE) FORESTRY, AND UTILITY PRODUCTS – US & CANADA

- **Construction & Forestry Products:** 12 months/unlimited hours (whichever occurs first) Full Machine Standard Warranty
- **Compact Construction Equipment (CCE) Products:** 24 months or 2000 hours (whichever occurs first) Full Machine Standard Warranty
- **C&E Series Pull-Type Scrapers:** 6 months Full Machine Standard Warranty
- **DC & DE Pull-Type Scrapers:** 12 months Full Machine Standard Warranty
- **Scraper Tractors:** 24 Months or 2000 Hours (whichever occurs first) Full Machine Standard Warranty
- **Forestry Attachments:** 12 Months or 2000 Hours (whichever occurs first) Full Machine Standard Warranty

The "Standard Warranty" is part of the warranty protection package available from John Deere Construction & Forestry Company (John Deere Limited in Canada) ("John Deere") to purchasers of new John Deere products ("product"):

STANDARD Warranty is John Deere's standard new product warranty, described in this document, provided at no additional charge to the purchaser.

EXTENDED Warranty is a separate repair contract made available by John Deere for purchasers who wish to complement their Standard Warranty coverage. Complete Extended Warranty details, including coverage options and limitations, are set forth in the Application for Extended Warranty, which is available from authorized John Deere dealers.

STRUCTURALL Warranty applies to certain structural components as listed below and as described in this document.

FACTORY-INSTALLED UNDERCARRIAGE Warranty applies to certain undercarriage components as listed below and as described in this document.

A. STANDARD WARRANTY - GENERAL PROVISIONS

John Deere will repair or replace, at its option, any parts (except those specified below) of a new John Deere product that, as delivered to the original retail purchaser(s), are defective in material or workmanship. Performance of this warranty will be free of charge for parts and labor, except as otherwise stated below. Standard Warranty applies only to purchases from John Deere and authorized John Deere dealers and, except as otherwise provided in the next sentence and section L below, is extended only to the original retail purchaser of the product. Remaining Standard Warranty applicable to a used John Deere product is transferred to a subsequent purchaser of the product only if the subsequent purchaser requests a transfer from an authorized John Deere dealer before the product's Standard Warranty expires. Coverage begins on the date of delivery of the product to the original retail purchaser. For purposes of this warranty, a product that has been rented, used for demonstration purposes for 150 or more hours, or otherwise used prior to its original retail purchase has been "used" for the total duration of such use. Warranty statements required by law covering engine emissions-related parts and components are found on a separate written warranty certificate provided to the purchaser at the time of the original retail purchase.

B. WHAT IS COVERED BY STANDARD WARRANTY

All parts of a new John Deere product (except those noted in Sections D and E below) are covered during the Standard Warranty period set out above.

C. EXCLUSIVE REMEDY

The repair or replacement of covered parts or components that are defective, as provided in Sections A, B, D.2 and D.3 herein, shall be the purchaser's exclusive remedy for any defect in the product. However, if after repeated attempts such repair or replacement fails to correct the performance problem caused by the defect, the purchaser's sole remedy shall be a refund of the amount paid for the product (in exchange for a return of the product), excluding any transportation charges, license fees, taxes and insurance premiums, and less a reasonable allowance for use of the product prior to its return. In no event will the dealer, John Deere or any company affiliated with John Deere be liable for any incidental or consequential damages, including but not limited to loss of profits, rental of substitute equipment or other commercial loss. Correction of defects in the manner provided above shall constitute fulfillment of

all liabilities of the Dealer, John Deere, or any company affiliated with John Deere to the purchaser or any other person, whether based upon contract, tort, strict liability, or otherwise. This limitation does not apply to claims for personal injury.

D. ITEMS COVERED SEPARATELY -

1. Standard Warranty does not apply to batteries, radios, tires, cameras, or to Cummins, MTU or Detroit Diesel Engines installed in John Deere products, which are covered by separate written warranties.
2. Factory-Installed Undercarriage Warranty covers all non-rubberized factory-installed undercarriage wear components for 3 years or 4,000 hours from the date of delivery to the original retail purchaser, whichever occurs first (unless terminated earlier under Section F, below). For purposes of this warranty, a product that has been rented, used for demonstration purposes for 150 or more hours, or otherwise used prior to its original retail purchase has been "used" for the total duration of such use. In addition to the items listed in section E below, Factory-Installed Undercarriage Warranty does not cover: failures due to wear, machine application, maintenance practices, or improper machine configuration; removal and installation labor; transportation or hauling costs; unapproved parts; non-wear items; and rubberized undercarriage components such as rubber tracks. Warranty claims will be pro-rated based upon wear of the failed component and whether track shoe width is approved by John Deere. Factory-Installed Undercarriage Warranty does not apply to Scraper Tractors.
3. StructurALL Warranty for new John Deere Products (except Compact Excavators & Loaders, Skid-Steer Loaders, Compact Track Loaders, Scraper Tractors, Pull-Type Scrapers, and Forestry Attachments, which are not eligible for StructurALL Warranty) begins at the date of delivery to the original retail purchaser and ends (unless terminated earlier under Section F, below) after three (3) years, or 10,000 hours (whichever occurs first). For purposes of this warranty, a product that has been rented, used for demonstration purposes for 150 or more hours, or otherwise used prior to its original retail purchase has been "used" for the total duration of such use. **StructurALL Warranty applies only to the following structural components listed below as installed on the product at the time of original manufacture.** If a particular component is not listed below it is not covered by StructurALL Warranty.

Arm; Articulation Joint (incl. pins & bushings); Bin Frame; Boom; Carbody; C-Frame*; Circle Frame; Coupler (John Deere built ONLY); Dipperstick; Draft Frame; Engine Frame; Equipment Frame; Grapple Arch and Grapple Boom; Loader Arm; Loader Frame; Mainframe; Moldboard Lift Arm; Pushbeam, NeverGrease™ Pin Joints [Includes steering pin and bushing joints (standard equipment), roller elements (roller bearings) in bucket to boom joints and sliding elements (bushing) for boom and linkage joints (optional equipment)]; Rollover Protection Structure (ROPS); Side Frame; Swing Frame; Track Frame; Undercarriage Frame; X-Frame; Z-bar loader linkage (including bell crank and bucket driver link); Specialty booms and arms marketed as "heavy duty" by John Deere.

Items Covered by StructurALL for Cut-to-Length Forestry Machines: Front frame (welded assembly); Rear frame (welded assembly); Crane king post with basement; Middle joint frame; Cabin swing frame; Main Boom

StructurALL Warranty does not apply to:

1. Any product used primarily in extreme duty or severe duty applications such as but not limited to: demolition and wrecking, chemical plant (including fertilizer plants), salt mines, steel mill, land fill and transfer stations, scrap handling, scarifying and other applications that are similarly destructive or similarly heavy duty except specialty booms and arms as stated in Section D.3 above.
2. C-Frames on Crawlers equipped with root rakes or used in forestry applications unless equipped with an "extreme duty" reinforcement package.
3. Cut-to-Length Forestry Heads and Slash Bundler Units.
4. Crawlers equipped with optional side booms.
5. Cut-to-Length Forestry, Excavator, and Log Loader swing bearings.
6. Motor Graders equipped with front- or rear-mounted snow wings.

E. ITEMS NOT COVERED -

John Deere is NOT responsible for the following:

1. Freight.
2. Adjustments to compensate for wear, for periodic maintenance or adjustments that result from normal wear and tear.
3. Damage caused by unapproved adjustments (electronic or mechanical) to machine or machine components outside of published specifications including but not limited to engine, hydraulic components and relief valves.
4. Program updates, calibrations, and pressure adjustments.
5. Additional Labor Time - Above Dealer Labor Rate.
6. Additional Cleaning - Above Dealer Labor Rate.
7. Rental Fees.
8. Depreciation or damage caused by normal wear or application, lack of reasonable and proper maintenance, failure to follow operating instructions, misuse, lack of proper protection during storage, vandalism, negligence, collision, expenses to seek reinstatement of warranty following theft or loss of Product, or other accidents.
9. Premiums charged for Overtime Labor.
10. Transportation to and from the dealership.
11. Travel time, mileage, or service calls by the dealer.
12. Non-John Deere components or modifications, Rotobec grapples, and attachments installed aftermarket.
13. Shop supplies and maintenance items such as, but not limited to: filters, fuels, oil, hydraulic fluid, lubricants, coolants, conditioners, shop towels, cleaners and degreasers.
14. Torn, cut, or worn hoses.
15. Wear items, such as, but not limited to: body liner, belts, blades, bulbs, lubricated joints (including pins and bushings), dry brakes, brake linings, dry clutch linings, saw blades, chains, skidder grapple shocks, color marking nozzles, and articulation bumpers.
16. Items such as cutting-edge parts, delimiting knives, bucket teeth and rubber track are not warranted for depreciation or damage caused by normal wear, lack of proper maintenance, misuse, failure to follow operating instructions, the elements or accident.
17. Any defect in a non-covered component, or damage to or failure of a covered component caused by a defect in a non-covered component.
18. Secondary damage which occurs from continued operation of a product after recognition of the occurrence of a failure.
19. Parts supplied by or repairs, maintenance or modifications performed by someone other than an authorized John Deere dealer, including any damage caused by such use of parts, repairs, maintenance, or modifications not performed by an authorized John Deere dealer.
20. The use of "track type" tire chains on Feller Bunchers and Skidders is an unapproved modification. Warranty will be void on these machines using "track type" tire chains.
21. Topping off fluids when fluid levels fall in the range between low and full
22. Parts/Kits not ordered on machine and installed aftermarket. These parts will be covered by any applicable parts warranty.
23. Attachments installed aftermarket – i.e., Winch not installed at factory.
24. Custom options installed outside the factory – i.e., G.R. Manufacturing option packages.
25. Used Products (except as otherwise provided in section L below).
26. Lost or stolen Products.

F. TERMINATION OF WARRANTY-

John Deere is relieved of its obligations under Standard Warranty, StructurALL Warranty, Factory-Installed Undercarriage Warranty and/or Extended Warranty if:

1. The product is modified or altered in ways not approved by John Deere; or
2. Any unapproved or improperly sized attachment is installed on the product. Approval and attachment size shall be at John Deere's sole discretion. (Consult dealer prior to installing attachments or product modification).
3. The product is moved outside the US and/or Canada.

G. PARTS REPLACED UNDER WARRANTY -

Only new or remanufactured parts or components furnished or approved by John Deere, will be used if John Deere elects to repair the product. If any such part or component is defective in material or workmanship when installed in the product, John Deere will repair or replace, as it elects, such defective part or component, provided the defect is reported to an authorized John Deere dealer within 90 days of installation or before expiration of the applicable Standard Warranty, Factory-Installed Undercarriage Warranty and/or StructurALL Warranty whichever is later.

H. TELEMATICS

NOTICE: Products may be equipped with telematics hardware and software ("Telematics") that transmit data to John Deere/ Dealer. Purchaser may deactivate Telematics at www.jdlink.com.

Notwithstanding Purchaser's right, title or interest in the Products, Purchaser agrees that John Deere and Dealer (their affiliates, successors and assigns), without further notice to Purchaser have the right to:

1. Access, use, collect and disclose any data generated by, collected by, or stored in, Products or any hardware or devices interfacing with Products ("Machine Data");
2. Access Machine Data directly through data reporting devices integrated within, or attached to, Products, including Telematics ("Data Reporting Systems"); and
3. Update the Data Reporting Systems software from time to time. Machine Data will only be used in accordance with John Deere's Machine Data Policy, located at www.JohnDeere.com/MachineDataPolicy.

I. OBTAINING WARRANTY SERVICE -

To obtain warranty service, the purchaser must request warranty service from a John Deere dealer authorized to sell the product to be serviced. When making such a request, the purchaser must present evidence of the product's delivery date, make the product available at the dealer's place of business, and inform the dealer in what way the purchaser believes the product to be defective. Standard Warranty, Factory-Installed Undercarriage Warranty and/or StructurALL Warranty repairs may be made in the field if the purchaser and servicing dealer so desire. However, John Deere will not be responsible for any charges (such as dealer travel time, mileage or extra labor) that would not have been incurred had the product been repaired at the dealer's place of business.

J. NO IMPLIED WARRANTY, CONDITIONS OR OTHER REPRESENTATION -

Where permitted by law, neither John Deere nor any company affiliated with it makes any warranties, representations, conditions or promises, express or implied, as to the quality, performance, or freedom from defect of its products, other than those set forth in this document and **NO IMPLIED WARRANTY OF MERCHANTABILITY, CONDITIONS OR FITNESS IS MADE.**

K. NO DEALER WARRANTY -

The selling dealer makes no warranty of its own on any item covered by this warranty and makes no warranty on other items unless the dealer delivers to the purchaser a separate written warranty certificate specifically warranting the item. **The dealer has no authority to make any representation or promise on behalf of John Deere, or to modify the terms or limitations of this warranty in any way.**

L. USED JOHN DEERE PRODUCTS ONLY -

John Deere will transfer remaining Standard Warranty, Factory-Installed Undercarriage Warranty and/or StructurALL Warranty to the purchaser of a used John Deere construction and/or forestry product that has been used for less than the full warranty period provided at the product's original retail purchase. This transfer is not effective until change of ownership is registered by a John Deere dealer. **ALL THE TERMS, INCLUDING LIMITATIONS AND EXCLUSIONS, OF THE JOHN DEERE STANDARD WARRANTY, FACTORY-INSTALLED UNDERCARRIAGE WARRANTY, AND/OR STRUCTURALL WARRANTY ORIGINALLY PROVIDED FOR THE PRODUCT REMAIN IN EFFECT AND APPLICABLE.**



Company ID Number: 513478

THE E-VERIFY PROGRAM FOR EMPLOYMENT VERIFICATION
MEMORANDUM OF UNDERSTANDING

ARTICLE I

PURPOSE AND AUTHORITY

This Memorandum of Understanding (MOU) sets forth the points of agreement between the Department of Homeland Security (DHS) and Warrior Tractor & Equipment Co., Inc. (Employer) regarding the Employer's participation in the Employment Eligibility Verification Program (E-Verify). This MOU explains certain features of the E-Verify program and enumerates specific responsibilities of DHS, the Social Security Administration (SSA), and the Employer. E-Verify is a program that electronically confirms an employee's eligibility to work in the United States after completion of the Employment Eligibility Verification Form (Form I-9). For covered government contractors, E-Verify is used to verify the employment eligibility of all newly hired employees and all existing employees assigned to Federal contracts or to verify the entire workforce if the contractor so chooses.

Authority for the E-Verify program is found in Title IV, Subtitle A, of the Illegal Immigration Reform and Immigrant Responsibility Act of 1996 (IIRIRA), Pub. L. 104-208, 110 Stat. 3009, as amended (8 U.S.C. § 1324a note). Authority for use of the E-Verify program by Federal contractors and subcontractors covered by the terms of Subpart 22.18, "Employment Eligibility Verification", of the Federal Acquisition Regulation (FAR) (hereinafter referred to in this MOU as a "Federal contractor with the FAR E-Verify clause") to verify the employment eligibility of certain employees working on Federal contracts is also found in Subpart 22.18 and in Executive Order 12989, as amended.

ARTICLE II

FUNCTIONS TO BE PERFORMED

A. RESPONSIBILITIES OF SSA

1. SSA agrees to provide the Employer with available information that allows the Employer to confirm the accuracy of Social Security Numbers provided by all employees verified under this MOU and the employment authorization of U.S. citizens.
2. SSA agrees to provide to the Employer appropriate assistance with operational problems that may arise during the Employer's participation in the E-Verify program. SSA agrees to provide the Employer with names, titles, addresses, and telephone numbers of SSA representatives to be contacted during the E-Verify process.
3. SSA agrees to safeguard the information provided by the Employer through the E-Verify program procedures, and to limit access to such information, as is appropriate by law, to individuals responsible for the verification of Social Security Numbers and for evaluation of the E-Verify program or such other persons or entities who may be authorized by SSA as governed

Company ID Number: 513478

To be accepted as a participant in E-Verify, you should only sign the Employer's Section of the signature page. If you have any questions, contact E-Verify at 888-464-4218.

Employer Warrior Tractor & Equipment Co., Inc.	
Stanley McCracken	
Name (Please Type or Print)	Title
Electronically Signed	03/01/2012
Signature	Date
Department of Homeland Security – Verification Division	
USCIS Verification Division	
Name (Please Type or Print)	Title
Electronically Signed	03/01/2012
Signature	Date

Information Required for the E-Verify Program	
Information relating to your Company:	
Company Name:	Warrior Tractor & Equipment Co., Inc.
Company Facility Address:	6801 McFarland Blvd
	Northport, AL 35476
Company Alternate Address:	P O Box 412
	Northport, AL 35476
County or Parish:	TUSCALOOSA
Employer Identification Number:	630588737

Company ID Number: 513478

North American Industry Classification Systems Code:	423
Administrator:	Warrior Tractor and Equipment Co., Inc.
Number of Employees:	100 to 499
Number of Sites Verified for:	1
Are you verifying for more than 1 site? If yes, please provide the number of sites verified for in each State:	
<ul style="list-style-type: none">• ALABAMA 1 site(s)	

Information relating to the Program Administrator(s) for your Company on policy questions or operational problems:

Name:	Stanley N McCracken	Fax Number:	(205) 333 - 0101
Telephone Number:	(205) 339 - 0300		
E-mail Address:	wte024@warriortractor.com		