

**BID SUBMITTAL FORM**  
**Alabama County Joint Bid Program**  
**Heavy Equipment – Bid Item: TRACK-MOUNTED EXCAVATOR**  
**OPTION C-2**

Company Name: Warrior Tractor & Equipment Company, Inc.

Address: 6801 McFarland Blvd W., Northport, AL 35476

Bid Submitted by: David Schafer  
(Name of company representative)

Title: Sales Manager E-mail address: dschafer@warriortractor.com

Phone: 205-339-0300 Fax: 205-333-0101

By submitting this bid, we agree:

The equipment model number identified below meets the bid specs for this bid item

Initials

DS

That the bid price will be honored for all counties for the period from January 1, 2023 to December 31, 2023.

DS

The equipment will be delivered at the bid price to all counties participating in the joint bid program

DS

The company representative listed above will be the contact person for purchasing this bid item under the joint bid program

DS

The bid is accompanied by a current catalog or model specification document for the model number identified below

DS

The bid is accompanied by a copy of the manufacturer's standard warranty as required in the bid specifications

DS

The bid includes the e-verify documentation required by Alabama law

DS

If awarded the bid, a performance bond will be provided upon request

DS

The bid documents include the **Manufacturer's Suggested Retail Price Sheet (MSRP) for the Standard Machine**

DS

## TRACK-MOUNTED EXCAVATOR - OPTION C-2

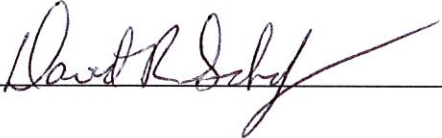
Total Bid Price for Standard Machine: \$ 221,357.00  
(Total Bid Price for Standard Machine Includes Freight Preparation, Delivery and Standard Warranty Costs) \*

Freight Preparation and Delivery: \$ 7,500.00  
(Included in Standard Machine Bid Price)

Manufacturer's Suggested Retail Price for Standard Machine: \$ 263,331.00

Equipment Model #: John Deere 160P

Description: Excavator

Signature of company representative submitting bid: 

Title: Sales Manager

**\*NOTE:** Award will be made based on the total cost of the **Standard Machine**. The total cost of the standard machine is to include the freight preparation, delivery and standard warranty cost. Freight preparation, delivery will be excluded from the total bid price of the standard machine in determining the percentage discount for any available options.

## BID SUBMITTAL FORM: OPTION COST SHEET TRACK-MOUNTED EXCAVATOR - OPTION C-2

By submitting this bid, we agree:

To offer any available options at the percent difference between the Manufacturer's Suggested Retail Price Sheet and the actual bid price on the Standard Machine\*

10%

The bid documents include the Manufacturer's Suggested Retail Price Sheet (MSRP) with **any available Options** for the Standard Machine

10%

Equipment Model #: John Deere 160P

Description: Excavator

Signature of company representative submitting bid: David R. Schif

Title: Sales Manager

**\*NOTE:** The percent difference between the **Manufacturer's Suggested Retail Price Sheet (MSRP)** for the standard machine as specified by these **Bid Specifications** and the actual price bid by the vendor will be calculated to determine the percentage discount to be applied to any available options. The bid price of the freight preparation, delivery cost shall be excluded in determining the percentage discount to be applied to available options. Any individual county may choose to add any available option to the standard machine at the percentage discount at the time of purchase.

# **BID SPECIFICATIONS FOR TRACK-MOUNTED EXCAVATOR - OPTION C-2**

## **GENERAL**

These specifications shall be construed as the minimum acceptable standards for a track mounted hydraulic excavator with long undercarriage. Should the manufacturer's current published data or specifications exceed these standards, the manufacturer's standards shall be considered minimum and shall be furnished. All integral parts not specifically mentioned in the scope of these specifications that are necessary to provide a complete working unit shall be furnished. Additionally, the machine offered for bid shall include all standard manufacturers' equipment. The excavator must be a new current production model and shall meet all EPA and other applicable standards at the time of manufacture.

Use of specific names and numbers in the specifications is not intended to restrict the bidder or any seller or manufacturer, but is intended solely for the purpose of indicating the type, size and quality of equipment considered best adapted to the uses of the counties participating in this joint bid.

## **BID SUBMITTAL FORM**

Each bidder must submit his or her bid on the bid submittal form included in the invitation to bid package. All written warranties to be submitted shall be attached to the bid submittal form.

## **BID PRICE**

The price bid shall include all destination charges, delivery charges, title fees, rebates, and all other applicable costs and refunds.

## **MANUALS**

Each unit shall be provided with one (1) copy of the operator's manual, one [1] repair manual, and one (1) copy of the current parts manual. Units will not be accepted for delivery until the manuals as outlined above are received by the purchaser.

## **REPLACEMENT PARTS AVAILABILITY**

Parts must be available for 5 years or 7,500 hours of use for the piece of equipment. If any replacement parts are not delivered within three (3) working days of an order being placed, the bidder will deliver an equivalent machine for the county to use at no cost to the county until such time as the parts are delivered to the county so it can affect repairs to its machine.

## **WARRANTY**

Bidders shall submit a copy of the manufacturer's standard warranty. Warranty shall include service response time of maximum of 36 hours within notification by county.

Yes  No   
Page# \_\_\_\_\_  
or  
Attachment

**WEIGHT**

Minimum 39,000 lbs. equipped with minimum 28-inch-wide track shoes.

Yes  No   
Page # 13 & 14

Maximum 40,000 lbs. equipped with minimum 28-inch-wide track shoes.

Yes  No   
Page # 13 & 14

**ENGINE**

Four Cylinder, turbocharged, minimum 269 cubic inch displacement diesel engine capable of a minimum 115 net horsepower.

Yes  No   
Page # 14

**Engine shall be designed and manufactured by the equipment manufacturer.**

Yes  No   
Page # 14

**UNDERCARRIAGE**

Track length shall be minimum 12' 10".

Yes  No   
Page # 16

Track shoe width shall be minimum 28" (Triple grouser Shoes)

Yes  No   
Page # 14

Minimum seven (7) track rollers per side.

Yes  No   
Page # 14

Minimum two (2) carrier rollers per side.

Yes  No   
Page # 14

**CAPACITIES**

Fuel Tank Capacity – 75 gallon minimum

Yes  No   
Page # 15

Hydraulic Tank Capacity – 28 gallon minimum

Yes  No   
Page # 15

Engine Coolant – 6 gallon minimum

Yes  No   
Page # 15

**BOOM AND STICK**

One piece boom with minimum 16' 9" length

Yes  No   
Page # 15

Stick shall be a minimum 8' 6" long

Yes  No

**DIMENSIONS**

Reach at ground level –28' 7" minimum

Yes X No       
Page # 15

Lifting Capacity at ground level, 15' over front of machine shall be a minimum 15,250 lbs.

Yes X No       
Page # 16

Lifting Capacity at ground level, 15' over side of machine shall be a minimum 9,150 lbs.

Yes X No       
Page # 16

Bucket breakout force – minimum 26,000 lbs.

Yes X No       
Page # 16

Stick digging force – minimum 17,500 lbs.

Yes X No       
Page # 16

**BUCKET**

**Standard with no bucket. Buckets will be considered optional attachments.**

**HYDRAULICS**

Hydraulic pump output shall be a minimum of 78 GPM

Yes X No       
Page # 14

**CAB**

Enclosed ROPS cab:

Yes X No       
Page # 24

Heater

Yes X No       
Page # 24

Factory installed air conditioning

Yes X No       
Page # 24

AM/FM radio

Yes X No       
Page # 24

Suspension seat

Yes X No       
Page # 24

October 3, 2022

Association of County Commissions of Alabama  
2 North Jackson Street  
Montgomery, AL 36104

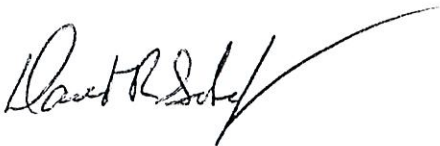
Joint Bid Program,

On 1 October, 2022 John Deere announced a price increase effective 1 November, 2022. This increase is 5% for all items being bid by Warrior Tractor & Equipment Company. Due to your 07 October, 2022 bid date the price pages we are providing per your specifications do not include this price increase. New prices pages will not be available until after 1 November, 2022

Due to this increase, 5% will need to be added on all price page options. Our bids reflect the increase on our bid prices.

Thank you and please give me a call if there are any questions.

David Schafer



District Sales Manager



6801 McFarland Blvd.W.  
P.O. Box 412  
Northport, AL 35476  
Phone: (205) 339-0300  
Fax: (205) 333-0101  
[www.warriortractor.com](http://www.warriortractor.com)

Graysville  
Huntsville  
Monroeville  
Montgomery  
Oxford  
Pelham

*Representing:*  
John Deere  
Hitachi  
Leica  
Fuchs/Terex  
Sakai  
Bomag  
Morbark  
NPK  
Talbert

# 160 P Excavator

29-Sep-2022



Code	Description	QTY	List Price (USD)
04D0FF	160 P Excavator  HYDRAULICS: Open Center, Load Sensing with Variable Displacement Pumps Hydraulic Pilot Controls Axial Piston Swing Motor Multiple Wet Disk Swing Brake Auxiliary Valve Section Adjustable Flow for Attachments Through Monitor Boom and Arm Reduced Drift Valves Power Boost Auto Power Lift Hydraulic Tank Site Gauge 5,000 Hour Hydraulic Oil Change Interval Hydraulic Oil Sampling Valve Inline DEF Filter  UNDERCARRIAGE: Two Speed Propel with Auto-Shift Axial Piston Propel Motors Propel Motor Shields Planetary Final Drives Sealed Track Chain Front and Center Track Guides Provisions for Tie Downs X-Frame Car Body Hydraulic Track Adjuster Seven Lower Rollers Two Upper Rollers Spring Applied Hydraulic Released Propel Brake  UPPER STRUCTURE: Right, Left Mirrors(2) Toolbox Vandal Locks for: Cab Door Service Doors Fuel Cap Tool Box Counterweight, 7,055 lbs. (3,200 kg) Work Lights: One Mounted on Frame One Mounted on Boom Debris Screening Side Panel Remote Mounted Engine Oil and Fuel Filters  FRONT ATTACHMENT: Steel Bushings Thrust Plates Tungsten Carbide Thermal Coating on arm to Bucket Joint Centralized Lubrication System Dirt Seals on Bucket Pins Less Boom	1	\$256,743.00



Less Arm  
Less Bucket

OPERATOR'S STATION:

Adjustable Control Positions (Levers to Seat, Seat to Pedals)  
 4" Arm Rests Attached to Side Consoles  
 Pilot Control Shut-Off Lever  
 Short Stroke, Low Effort Pilot Levers  
 Switches for Auxiliary Hydraulic Control on RH Pilot Lever  
 Deluxe Adjustable Cloth Seat with Suspension, Reclining Backrest, Headrest, and Adjustable Lumbar Support  
 Multifunction, Color LCD Monitor System with:  
 Diagnostic Capability  
 Systems Monitoring Capability  
 Multiple Language Capability  
 Maintenance Tracking  
 Control Pattern Changer  
 Engine Coolant Temperature Gauge  
 Engine Coolant Temperature Warning Indicator with Audible Alarm  
 Engine Oil Pressure Warning Indicator with Audible Alarm  
 Fuel Gauge with Low Fuel Indicator  
 Diesel Exhaust Fluid Gauge  
 Work Mode Indicator  
 Auto Idle Indicator  
 Alternator Charge Indicator  
 Air Filter Restriction Indicator  
 Fault Code Alert Indicator  
 Check Engine Indicator  
 Wiper Mode Indicator  
 Work Lights On Indicator  
 Fuel Rate Display  
 Clock  
 Hour Meter  
 Mode Selection:  
 One Work Mode  
 Three Power Modes  
 Numerous Attachment Modes  
 Auto-Climate Control/Air Conditioner, Heater with Pressurizer  
 AM-FM Radio  
 USB Charge Port  
 Pilot Lever Lock  
 Rear View Camera  
 Machine Information Center (MIC)  
 Windshield Wiper/Washer with Intermittent Speed  
 12V-60W, 5 Amp Cell Phone Power Outlet  
 3 In. Retractable Seat Belt  
 Tinted Safety Glass  
 Hot/Cold Box Compartment  
 Horn  
 Two Cup Holders  
 Interior Light  
 Coat Hook  
 Floor Mat  
 Motion Alarm with Cancel Switch  
 Transparent Tinted Roof Hatch with Sunshade  
 Four Fluid-Filled Elastic Mounts  
 Easy Access Air Conditioning Filter

Code	Description	QTY	List Price (USD)
04DOFF	160 P Excavator	1	\$256,743.00
	DESTINATION AND LANGUAGE		
	Destination Codes		Basic Factory Options - Required
0202	Destination Code - United States		No Added Cost
	Operator's Manual and Decals		Basic Factory Options - Required
0259	English Customer Delivery Packet		No Added Cost
	PACKAGES		
	Trim Packages		Basic Factory Options - Required
0601	Level 1 Includes: - Seat, Standard Mechanical - Standard Front LED Worklights		No Added Cost
0602	Level 2 Includes: - Seat, Heated Air-Suspension - Standard Front LED Worklights		\$1,600.00
0603	Level 3 Includes: - Seat, Heated Air-Suspension - Deluxe Front LED Worklights - Chrome Exhaust		\$4,300.00
0604	Level 4 Includes: - Seat, Premium Leather – Thermal Heating and Active Cooling - Deluxe Front LED Worklights - Chrome Exhaust		\$5,500.00
	OPERATOR'S CONTROLS		
	Detection System		Basic Factory Options - Required

Code	Description	QTY	List Price (USD)
1100	Rear Camera System		No Added Cost
1101	Right, Rear and Left Camera System Includes: - Right, Rear and Left LED Lighting		\$4,378.00
	PRECISION TECHNOLOGY SOLUTIONS		
	Machine Connectivity		Basic Factory Options - Required
170K	JDLink™ Includes integrated cab wiring harness, antenna, and JDLink Modem (MTG). JDLink connectivity is enabled separately through the JDLink website. Connectivity service is subject to country availability.		No Added Cost
	Grade Systems		Basic Factory Options - Required
2000	Less Grade Reference Ready Mounts		No Added Cost
	ENGINE		
	Engine		Basic Factory Options - Required
4070	John Deere PowerTech PSS 4.5L meets FT4/EU Stage IV Emissions		No Added Cost
	MAIN FRAME		
	Boom		Basic Factory Options - Required
6665	Less Boom, Less Boom Cylinders		(\$15,450.00)

Code	Description	QTY	List Price (USD)
	Recommend: Hyd. Filter Restriction Indicator Kit		
6666	Less Boom with Boom Cylinders with plumbing to Main Frame Boom Not Included Recommend: Hyd. Filter Restriction Indicator Kit		(\$5,788.00)
6667	One Piece Boom w/Arm Cyl. and Plumbing 5.1 M (16 ft 8 in) Boom		No Added Cost
	Arm		Basic Factory Options - Required
6715	Less: Arm If bucket is desired, must order attachment separately Recommend: - Hyd. Filter Restriction Indicator Kit and Indicator Coupler		(\$10,521.00)
6717	Arm: Standard 2.6 M (8 ft 6 in) Arm with Bucket Cylinder and Linkage		No Added Cost
6719	Arm: Long 3.1 M (10 ft 2 in) Arm with Bucket Cylinder and Linkage		\$1,493.00
	HYDRAULICS		
	Auxiliary Hydraulics		Basic Factory Options - Required
7000	Less: Auxiliary Hydraulics		(\$5,598.00)
7001	Auxiliary High-Flow Lines with AFL and Auxiliary Relief Pressure Adjustment Includes: - Combination auxiliary hydraulic piping with dedicated stop valves for each attachment. - Auxiliary Function Lever (AFL) right-hand joystick for electronic proportional auxiliary control. - Ability to set, confirm, and adjust the auxiliary relief pressure for an attachment.		\$4,988.00
7005	Aux High-Flow Lines Only with Push Button Control Grip Includes: - Combination auxiliary hydraulic piping with dedicated stop valves for each attachment. - Requires dealer installed 1-way solenoid kit, 2-way solenoid kit or a foot pedal kit for auxiliary hydraulics functionality.		No Added Cost
	Hydraulic Coupler Ready		Basic Factory Options - Required

Code	Description	QTY	List Price (USD)
7040	Less: Hydraulic Coupler Ready		No Added Cost
7041	Hydraulic Coupler Ready Lines and Controls - Adds dedicated hydraulic lines and control circuit for hydraulic quick coupler installations - Compatible with select aftermarket couplers from Paladin, Strickland, Rockland and Brandt.		\$3,100.00
	TRACKS		
	Track Shoes		Basic Factory Options - Required
5702	600 mm (24 In.) Steel Track with Triple Semi-Grouser Shoes		(\$1,088.00)
5707	700 mm (28 In.) Steel Track with Triple Semi-Grouser Shoes Recommended for general conditions and soft terrain.		No Added Cost
	ATTACHMENTS		
	Buckets		Basic Factory Options - Required
7800	Less: Bucket		No Added Cost
7813	36 In. Heavy Duty Bucket w/ Teeth 36 Inch (900MM) 0.94 Cubic Yard (0.72 Cubic Meter) Heavy Duty Bucket Includes Five (5) TK300 Series Teeth		\$7,377.00
7814	42 In. Heavy Duty Bucket w/ Teeth 42 Inch (1050MM) 1.14 Cubic Yard (0.87 Cubic Meter) Heavy Duty Bucket Includes (5) TK400 Series Teeth.		\$7,946.00
7815	48 In. Heavy Duty Bucket w/ Teeth 48 Inch (1220 MM) 1.96 Cubic Yard (1.50 Cubic Meter) Heavy Duty Bucket Includes Six (6) TK400 Series Teeth		\$8,585.00

MISCELLANEOUS PRODUCT LINE

Code	Description	QTY	List Price (USD)
	Filter		Field Installed Attachments - Optional
8124	Fuel Filter, Severe-Duty Recommended for harsh conditions.		\$175.00
	Single Pedal Propel		Field Installed Attachments - Optional
8261	Single Pedal Propel Additional pedal for tracking both tracks simultaneously in the same direction		\$2,259.00
	Shipping Preparation		Field Installed Attachments - Optional
8262	Special Export Preparation-- Do not install front for shipping		No Added Cost
	Cold Weather Package		Field Installed Attachments - Optional
8500	Cold Weather Package Includes Engine Block Heater		\$600.00
	Debris Package		Field Installed Attachments - Optional
8501	Debris Package Includes Reversing Variable Speed Fan Drive - Reversing fan features selectable intervals and manual override.		\$2,500.00
	MISCELLANEOUS		
	Hydraulics		Field Installed Attachments - Optional
AT390776	Single Pedal Propel Kit		\$2,143.00

Code	Description	QTY	List Price (USD)
AT461528	Proportional Auxiliary Hydraulic Control Kit Includes joysticks, wiring, and valves.		\$3,091.00
AT442872	Hydraulic Filter Restriction Indicator Kit For iT4 and FT4 only.		\$797.00
	Guards		Field Installed Attachments - Optional
AT390802	Cab FOPS Guard FOPS Level II, ISO 10262 Certified		\$3,259.00
	Operator Environment		Field Installed Attachments - Optional
BYT11141	Full Length Front Guards		\$1,547.00

Manufacturer's Suggested List Price shown. Retail prices may vary by dealer. Unless stated otherwise, taxes, freight, setup, delivery and other dealer specific charges not included in the pricing. Options/items noted with anything other than price will have additional costs. Pricing, availability, and specifications subject to change without notice. Special program pricing may be available on certain models. See dealer for details. Prices shown are in U.S. dollars and valid only in the U.S.

# 160 P Excavator

13-Sep-2022



Code	Description		
04D0FF	160 P Excavator	1	\$256,743.00
<b>Option Codes</b>			
0202	Destination Code - United States	1	No Added Cost
0259	English Customer Delivery Packet	1	No Added Cost
0602	Level 2 Includes: - Seat, Heated Air-Suspension - Standard Front LED Worklights	1	\$1,600.00
1100	Rear Camera System	1	No Added Cost
170K	JDLink™ Includes integrated cab wiring harness, antenna, and JDLink Modem (MTG).  JDLink connectivity is enabled separately through the JDLink website. Connectivity service is subject to country availability.	1	No Added Cost
2000	Less Grade Reference Ready Mounts	1	No Added Cost
4070	John Deere PowerTech PSS 4.5L meets FT4/EU Stage	1	No Added Cost
6667	One Piece Boom w/Arm Cyl. and Plumbing 5.1 M (16 ft 8 in) Boom	1	No Added Cost
6717	Arm: Standard 2.6 M (8 ft 6 in) Arm with Bucket Cylinder and Linkage	1	No Added Cost
7001	Auxiliary High-Flow Lines with AFL and Auxiliary Relie Includes: - Combination auxiliary hydraulic piping with dedicated stop valves for each attachment. - Auxiliary Function Lever (AFL) right-hand joystick for electronic proportional auxiliary control. - Ability to set, confirm, and adjust the auxiliary relief pressure for an attachment.	1	\$4,988.00



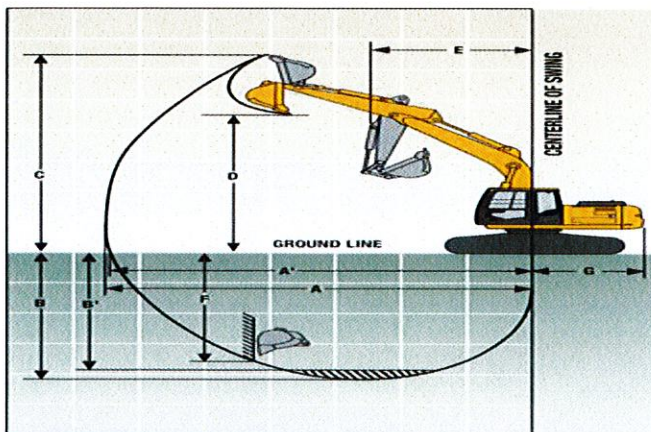
7040	Less: Hydraulic Coupler Ready	1	No Added Cost
5707	700 mm (28 In.) Steel Track with Triple Semi-Grouser S Recommended for general conditions and soft terrain.	1	No Added Cost
7800	Less: Bucket	1	No Added Cost
<b>Total</b>			<b>\$263,331.00</b>

Manufacturer's Suggested List Price shown. Retail prices may vary by dealer. Unless stated otherwise, taxes, freight, setup, delivery and other dealer specific charges not included in the pricing. Options/items noted with anything other than price will have additional costs. Pricing, availability, and specifications subject to change without notice. Special program pricing may be available on certain models. See dealer for details. Prices shown are in U.S. dollars and valid only in the U.S.



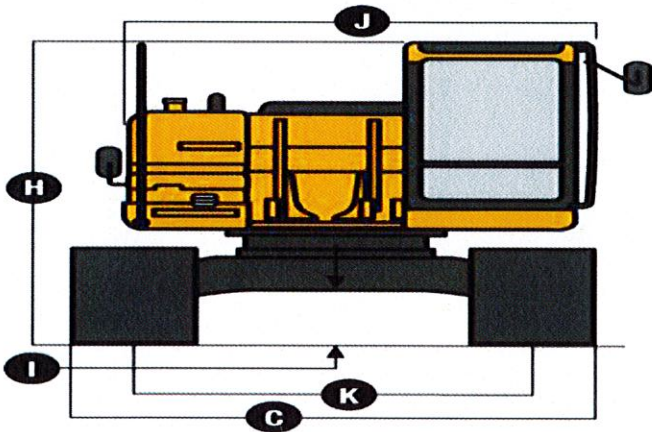
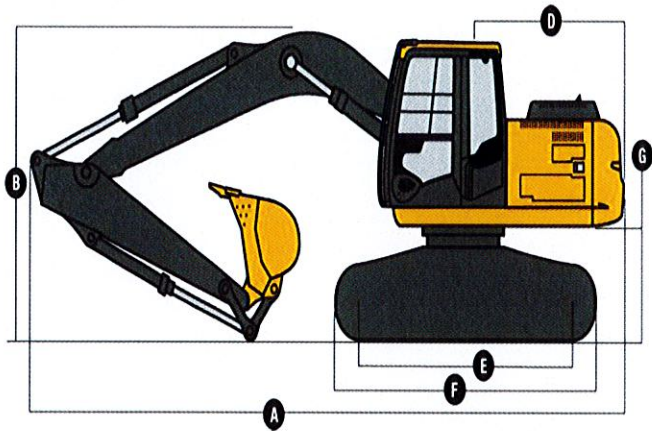
Carrier Rollers (per side)	2		
Track Rollers (per side)	7		
Shoes (per side)	43		
Track Adjustment	Hydraulic		
Track Guides	Front and Center		
Track Chain	Sealed and Lubricated		
<b>Ground Pressure</b>			
600 mm (24-in.) Triple Semi-Grouser Shoes	41 kPa	5.95	psi
700 mm (28-in.) Triple Semi-Grouser Shoes	35 kPa	5.08	psi
<b>Swing Mechanism</b>			
Swing Speed	13.3 rpm		
Swing Torque	44000 Nm	32352.94	lb. ft
<b>Serviceability</b>			
<b>Refill Capacities</b>			
Fuel Tank	285 L	75.29	gal
Cooling System	23.5 L	24.83	qt.
Engine Oil with Filter	17.0 L	17.96	qt.
Hydraulic Tank	125 L	33.02	gal
Hydraulic System	210 L	55.48	gal
Swing Gearbox	6.2 L	6.55	qt.
Propel Gearbox (each)	6.8 L	7.19	qt.
Pump Drive Gearbox	0.9 L	0.95	qt.
DEF Tank	26.7 L	28.16	qt.

<b>Operating Weights</b>		
With Full Fuel Tank; 79 kg (175-lb.) Operator; 914 mm (36-in.), 0.60 m <sup>3</sup> (0.78-cu.-yd.), 528 kg (1,164-lb.)		
	17 945 kg	39526.43 lb.
	17717.00 kg	39024.23 lb.
<b>Optional Components</b>		
Undercarriage		
600 mm (24-in.) Triple Semi-Grouser Shoes	6316 kg	13911.89 lb.
700 mm (28-in.) Triple Semi-Grouser Shoes	6530 kg	14383.26 lb.
One-Piece Boom (with arm cylinder)	1300 kg	2863.44 lb.
Arm with Bucket Cylinder and Linkage		
2.60 m (8 ft 6 in.)	788 kg	1735.68 lb.
3.10 m (10 ft 2 in.)	874 kg	1925.11 lb.
Boom Lift Cylinders (2) Total Weight	306 kg	674.01 lb.
<b>Operating Dimensions</b>		



<i>Arm Length 2.60 m (8 ft 6 in.)</i>			
Arm Digging Force (SAE)	89.82	kN	20,193 lb.
Arm Digging Force (ISO)	92.69	kN	20,838 lb.
Bucket Digging Force (SAE)	104.96	kN	23,598 lb.
Bucket Digging Force (ISO)	112.0	kN	25179.86 lb.
A Maximum Reach	8.87	m	349.21 in. 29 ft 1 in.
A' Maximum Reach at Ground Level	8.7	m	342.52 in. 28 ft 7 in.
B Maximum Digging Depth	5.98	m	235.43 in. 19 ft 7 in.
B' Maximum Digging Depth at 2.44 m (8 ft) Flat Bottom	5.74	m	225.98 in. 18 ft 10 in.
C Maximum Cutting Height	8.88	m	349.61 in. 29 ft 2 in.
D Maximum Dumping Height	6.17	m	242.91 in. 20 ft 3 in.
E Minimum Swing Radius	2.91	m	114.57 in. 9 ft 7 in.
F Maximum Vertical Wall	5.16	m	203.15 in. 16 ft 11 in.
G Tail Swing Radius	2.55	m	100.39 in. 8 ft 4 in.
<i>Arm Length 3.10 m (10 ft 2 in.)</i>			
Arm Digging Force (SAE)	79.43	kN	17,857 lb.
Arm Digging Force (ISO)	81.0	kN	18210.43 lb.
Bucket Digging Force (SAE)	104.96	kN	23,598 lb.
Bucket Digging Force (ISO)	112.0	kN	25179.86 lb.
A Maximum Reach	9.33	m	367.32 in. 30 ft 7 in.
A' Maximum Reach at Ground Level	9.16	m	360.63 in. 30 ft 1 in.
B Maximum Digging Depth	6.49	m	255.51 in. 21 ft 4 in.
B' Maximum Digging Depth at 2.44 m (8 ft) Flat Bottom	6.27	m	246.85 in. 20 ft 7 in.
C Maximum Cutting Height	9.13	m	359.45 in. 29 ft 11 in.
D Maximum Dumping Height	6.40	m	251.97 in. 20 ft 12 in.
E Minimum Swing Radius	2.92	m	114.96 in. 9 ft 7 in.
F Maximum Vertical Wall	5.69	m	224.02 in. 18 ft 8 in.
G Tail Swing Radius	2.55	m	100.39 in. 8 ft 4 in.

**Machine Dimensions**



<b>A</b> Overall length 2.60 m (8 ft 6 in.) arm	8.62 m	339.37 in.	28 ft 3 in.
Overall length 3.10 m (10 ft 2 in.) arm	8.65 m	340.55 in.	28 ft 5 in.
<b>B</b> Overall Height 2.60 m (8 ft 6 in.) arm	2.87 m	112.99 in.	9 ft 5 in.
Overall Height 3.10 m (10 ft 2 in.) arm	3.11 m	122.44 in.	10 ft 2 in.
<b>C</b> Rear-End Length/Swing Radius	2.55 m	100.39 in.	8 ft 4 in.
<b>D</b> Distance Between Idler/Sprocket Centerline	3.10 m	122.05 in.	10 ft 2 in.
<b>E</b> Undercarriage Length	3.92 m	154.33 in.	12 ft 10 in.
<b>F</b> Counterweight Clearance	1030 mm	40.55 in.	3 ft 5 in.
<b>G</b> Upperstructure Width	2.50 m	98.43 in.	8 ft 2 in.
<b>H</b> Cab Height	2.95 m	116.14 in.	9 ft 8 in.
<b>I</b> Track Width with Triple Semi-Grouser Shoes			
600 mm (24-in.)	0.60 m	24 in.	2 ft 0 in.
700 mm (28-in.)	0.70 m	28 in.	2 ft 4 in.
<b>J</b> Gauge Width	1.99 m	78.35 in.	6 ft 6 in.
<b>K</b> Ground Clearance	470 mm	18.50 in.	1 ft 7 in.
<b>L</b> Overall Width With Triple Semi-Grouser Shoes 600 mm (24-in.)	2.59 m	101.97 in.	8 ft 6 in.
700 mm (28-in.)	2.69 m	105.91 in.	8 ft 10 in.

**LIFT CHARTS**

The load point is the arm tip position (bucketless), using standard counterweight, situated on firm, level, uniform supporting surface.

Figures do not exceed 87% of hydraulic capacity or 75% of weight needed to tip machine. Figures in bold are hydraulically-limited capacities. Remaining figures are stability-limited capacities.

Lift Capacity 160P		Bucket: N/A					Shoe: 600 mm (24 in)	
Arm: 2.60 m (8 ft 6 in.)		Horizontal Distance from Centerline of Rotation						
Lifting over front	m	1.5	3.0	4.5	6.0	7.5		
Load Point Height	ft	5	10	15	20	25		
	6.0 m							
	20 ft							
	4.5 m			<b>4,570</b>	<b>4,300</b>			
	15 ft			<b>9,920</b>	<b>9,430</b>			
	3.0 m		<b>8,880</b>	<b>5,880</b>	<b>4,850</b>			
	10 ft		<b>18,910</b>	<b>12,710</b>	<b>10,570</b>			
	1.5 m			<b>7,270</b>	<b>4,950</b>			
	5 ft			<b>15,720</b>	<b>10,680</b>			
	Ground line m		<b>6,260</b>	<b>7,420</b>	<b>4,830</b>			
	ft		<b>14,450</b>	<b>15,970</b>	<b>10,420</b>			
	-1.5 m	<b>5,740</b>	<b>10,420</b>	<b>7,360</b>	<b>4,790</b>			
	-5 ft	<b>12,870</b>	<b>23,810</b>	<b>15,830</b>	<b>10,340</b>			
	-3.0 m	<b>10,310</b>	<b>11,050</b>	<b>7,430</b>				
	-10 ft	<b>23,240</b>	<b>23,930</b>	<b>15,990</b>				
Arm: 2.60 m (8 ft 6 in.)		Bucket: N/A					Shoe: 600 mm (24 in)	
Lifting over side	m	1.5	3.0	4.5	6.0	7.5		
Load Point Height	ft	5	10	15	20	25		
	6.0 m							
	20 ft							
	4.5 m			<b>4,570</b>	<b>3,490</b>			
	15 ft			<b>9,920</b>	<b>7,510</b>			
	3.0 m		<b>8,880</b>	<b>5,100</b>	<b>3,360</b>			
	10 ft		<b>18,910</b>	<b>11,020</b>	<b>7,240</b>			
	1.5 m			<b>4,770</b>	<b>3,210</b>			
	5 ft			<b>10,310</b>	<b>6,930</b>			
	Ground line m		<b>6,260</b>	<b>4,580</b>	<b>3,100</b>			
	ft		<b>14,450</b>	<b>9,880</b>	<b>6,700</b>			
	-1.5 m	<b>5,740</b>	<b>8,320</b>	<b>4,520</b>	<b>3,070</b>			
	-5 ft	<b>12,870</b>	<b>17,870</b>	<b>9,760</b>	<b>6,630</b>			
	-3.0 m	<b>10,310</b>	<b>8,470</b>	<b>4,580</b>				
	-10 ft	<b>23,240</b>	<b>18,210</b>	<b>9,900</b>				

Lift Capacity 160P		Horizontal Distance from Centerline of Rotation				
Arm: 2.60 m (8 ft 6 in.)		Bucket: N/A			Shoe: 700 mm (28 in)	
		1.5	3.0	4.5	6.0	7.5
Lifting over front	m					
Load Point Height	ft	5	10	15	20	25
	6.0 m					
	20 ft					
	4.5 m			<b>4,570</b>	<b>4,300</b>	
	15 ft			<b>9,920</b>	<b>9,430</b>	
	3.0 m		<b>8,880</b>	<b>5,880</b>	<b>4,850</b>	
	10 ft		<b>18,910</b>	<b>12,710</b>	<b>10,570</b>	
	1.5 m			<b>7,270</b>	4,990	
	5 ft			<b>15,720</b>	10,770	
	Ground line m		<b>6,260</b>	7,480	4,880	
	ft		<b>14,450</b>	16,110	10,510	
	-1.5 m	<b>5,740</b>	<b>10,420</b>	7,420	4,830	
	-5 ft	<b>12,870</b>	<b>23,810</b>	15,960	10,430	
	-3.0 m	<b>10,310</b>	<b>11,050</b>	7,490		
	-10 ft	<b>23,240</b>	<b>23,930</b>	16,120		
Arm: 2.60 m (8 ft 6 in.)		Bucket: N/A			Shoe: 700 mm (28 in)	
		1.5	3.0	4.5	6.0	7.5
Lifting over side	m					
Load Point Height	ft	5	10	15	20	25
	6.0 m					
	20 ft					
	4.5 m			<b>4,570</b>	3,520	
	15 ft			<b>9,920</b>	7,590	
	3.0 m		<b>8,880</b>	5,150	3,390	
	10 ft		<b>18,910</b>	11,140	7,320	
	1.5 m			4,830	3,250	
	5 ft			10,430	7,010	
	Ground line m		<b>6,260</b>	4,630	3,140	
	ft		<b>14,450</b>	10,000	6,780	
	-1.5 m	<b>5,740</b>	8,410	4,570	3,100	
	-5 ft	<b>12,870</b>	18,080	9,870	6,710	
	-3.0 m	<b>10,310</b>	8,560	4,640		
	-10 ft	<b>23,240</b>	18,410	10,010		
Lift Capacity 160P		Horizontal Distance from Centerline of Rotation				
Arm: 3.10 m (10 ft 2 in.)		Bucket: N/A			Shoe: 600 mm (24 in)	
		1.5	3.0	4.5	6.0	7.5
Lifting over front	m					
Load Point Height	ft	5	10	15	20	25
	6.0 m				<b>3,380</b>	
	20 ft				<b>7,170</b>	
	4.5 m				<b>3,870</b>	
	15 ft				<b>8,490</b>	
	3.0 m		<b>7,410</b>	<b>5,280</b>	<b>4,470</b>	<b>3,360</b>
	10 ft		<b>15,820</b>	<b>11,420</b>	<b>9,750</b>	<b>6,760</b>
	1.5 m		<b>7,570</b>	<b>6,780</b>	4,960	3,560
	5 ft		<b>18,220</b>	<b>14,660</b>	10,700	7,680
	Ground line m		<b>6,850</b>	7,420	4,820	3,500
	ft		<b>15,760</b>	15,970	10,390	7,550
	-1.5 m	<b>5,170</b>	<b>9,640</b>	7,310	4,750	
	-5 ft	<b>11,580</b>	<b>21,990</b>	15,720	10,240	
	-3.0 m	<b>8,710</b>	<b>11,680</b>	7,330	4,780	
	-10 ft	<b>19,610</b>	<b>25,280</b>	15,780	10,310	
	-4.5 m		<b>9,390</b>	<b>6,330</b>		
	-15 ft		<b>20,090</b>	<b>13,350</b>		
Arm: 3.10 m (10 ft 2 in.)		Bucket: N/A			Shoe: 600 mm (24 in)	
		1.5	3.0	4.5	6.0	7.5
Lifting over side	m					
Load Point Height	ft	5	10	15	20	25
	6.0 m				<b>3,380</b>	
	20 ft				<b>7,170</b>	
	4.5 m				3,530	
	15 ft				7,600	
	3.0 m		<b>7,410</b>	5,180	3,380	2,400
	10 ft		<b>15,820</b>	11,200	7,300	5,160
	1.5 m		<b>7,570</b>	4,820	3,220	2,320
	5 ft		<b>18,220</b>	10,410	6,940	5,010
	Ground line m		<b>6,850</b>	4,570	3,080	2,270
	ft		<b>15,760</b>	9,870	6,660	4,890
	-1.5 m	<b>5,170</b>	8,210	4,470	3,020	
	-5 ft	<b>11,580</b>	17,650	9,650	6,520	
	-3.0 m	<b>8,710</b>	8,310	4,490	3,040	
	-10 ft	<b>19,610</b>	17,880	9,700	6,590	
	-4.5 m		8,590	4,660		

-15 ft		18,490	10,100	
--------	--	--------	--------	--

Lift Capacity 160P		Bucket: N/A					Shoe: 700 mm (28 in)	
Arm: 3.10 m (10 ft 2 in.)		Horizontal Distance from Centerline of Rotation						
Lifting over front	m	1.5	3.0	4.5	6.0	7.5		
Load Point Height	ft	5	10	15	20	25		
	6.0 m				<b>3,380</b>			
	20 ft				<b>7,170</b>			
	4.5 m				<b>3,870</b>			
	15 ft				<b>8,490</b>			
	3.0 m		<b>7,410</b>	<b>5,280</b>	<b>4,470</b>	<b>3,360</b>		
	10 ft		<b>15,820</b>	<b>11,420</b>	<b>9,750</b>	<b>6,760</b>		
	1.5 m		<b>7,570</b>	<b>6,780</b>	5,010	3,590		
	5 ft		<b>18,220</b>	<b>14,660</b>	10,790	7,750		
	Ground line m		<b>6,850</b>	7,490	4,860	3,530		
	ft		<b>15,760</b>	16,110	10,480	7,620		
	-1.5 m	<b>5,170</b>	<b>9,640</b>	7,370	4,790			
	-5 ft	<b>11,580</b>	<b>21,990</b>	15,850	10,330			
	-3.0 m	<b>8,710</b>	<b>11,680</b>	7,390	4,820			
	-10 ft	<b>19,610</b>	<b>25,280</b>	15,910	10,400			
	-4.5 m		<b>9,390</b>	<b>6,330</b>				
	-15 ft		<b>20,090</b>	<b>13,350</b>				
Arm: 3.10 m (10 ft 2 in.)		Bucket: N/A					Shoe: 700 mm (28 in)	
Lifting over side	m	1.5	3.0	4.5	6.0	7.5		
Load Point Height	ft	5	10	15	20	25		
	6.0 m				<b>3,380</b>			
	20 ft				<b>7,170</b>			
	4.5 m				3,560			
	15 ft				7,680			
	3.0 m		<b>7,410</b>	5,420	3,420	2,420		
	10 ft		<b>15,820</b>	11,310	7,380	5,220		
	1.5 m		<b>7,570</b>	4,870	3,250	2,350		
	5 ft		<b>18,220</b>	10,530	7,020	5,070		
	Ground line m		<b>6,850</b>	4,630	3,120	2,290		
	ft		<b>15,760</b>	9,990	6,740	4,950		
	-1.5 m	<b>5,170</b>	8,300	4,530	3,060			
	-5 ft	<b>11,580</b>	17,850	9,760	6,600			
	-3.0 m	<b>8,710</b>	8,410	4,550	3,080			
	-10 ft	<b>19,610</b>	18,080	9,820	6,670			
	-4.5 m		8,680	4,710				
	-15 ft		18,690	10,210				

